

GENERAL PURPOSE VALVES



Series 20 >> Model 25

3-Way Directional Control Valve

A complete line of valves with a great selection of options and exceptional proven performance. The standard in the field. Air, water, and other fluids compatible with standard Buna seals. Hot water, steam, gasoline, and many oils require special seal materials.

- The flagship valve initially created for fluid power industry.
- Heavy duty and made of stainless steel.
- A real workhorse with proven performance.
- It has the greatest amount of options available of all the valves.
- Wide range of orifice sizes from 1/32" to 1/8".

OPERATING CONDITIONS

Media: Air, water, and other fluids compatible with standard Buna seals. Hot water, steam, gasoline, and many oils require special seal materials. (Series 20 pressure ratings may change due to the viscosity of the liquid.)*

Valve Temperature Range: Standard Valves - 0°F (-18°C) to 104°F (40°C) ambient; 0°F (-18°C) to 150°F (65°C) media. Optional Valves - can tolerate much higher or much lower ambient and media temperatures.

Maximum Operating Pressure Differentials: See table on proceeding page.

Burst Pressure: 5000 PSI

Leakage: Bubble tight for standard valves.

Vacuum: To 5 Microns*

ELECTRICAL CHARACTERISTICS

Coil Voltage: 6 to 825V AC 60 HZ. and 5 to 720V AC 50 HZ. – 1.8 to 265V DC

Nominal Power: AC – 8.7 Watts DC – 9.5 Watts

Coil Construction: Non-molded Class A (Std.), Molded and Potted Class F or Class H (Opt.)

Typical Response Time on Air: 4 - 16 Milliseconds

Operating Speed: Up to 600 CPM

Duty Cycle: Continuous

MECHANICAL CHARACTERISTICS

Body: Stainless Steel (Std.) or Brass (Opt.)

Internal Components: Stainless Steel

Elastomers: Nitrile (Buna) (Std.). Many other elastomers available.*

Orifice Diameter: See table on proceeding page.

Porting: Standard 1/8" and 1/4" NPT (other ports available).*

Housing: Grommet and 1/2" NPT conduit - many options available.*

Listings: Most valves are UL and CSA listed.*

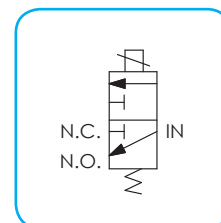
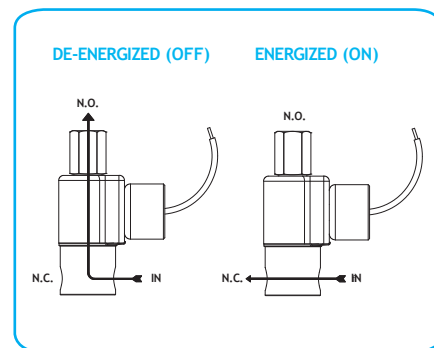
Life Expectancy: Millions of cycles, depending on application, lubrication, etc.

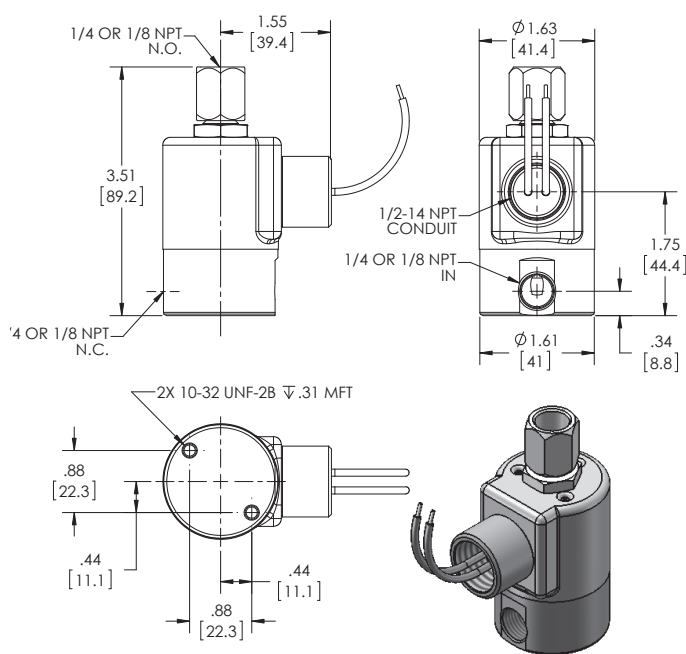
Valve Weight: Grommet Valve: 1.13 lb Conduit Valve: 1.19 lb

Repair Packs: See table on proceeding page.

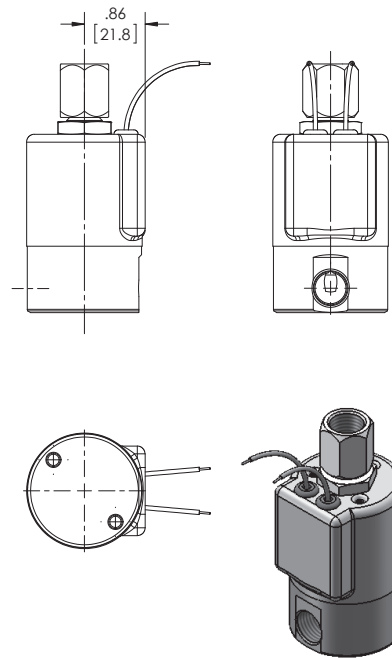
Options: Alternate Port Locations, Metering, Manual Override, Alternate Elastomers, Spade Terminal Coil, European Style DIN, Explosion Proof and Magnetic Latching Coil

* Consult representative or factory for options and specifications.





**SERIES 20 MODEL 25
3-WAY DIRECTIONAL CONTROL
CONDUIT COIL CONNECTION**



**SERIES 20 MODEL 25
3-WAY DIRECTIONAL CONTROL
GROMMET HOUSING WITH LEADS**

VALVE SPECIFICATIONS

+ MAX. OPER. PRESS. DIFF.		ORIFICE SIZE		CV FACTOR		VALVE NUMBER		GROMMET HOUSING		CONDUIT HOUSING	
AC	DC	N.C.	N.O.	N.C.	N.O.	1/8 NPT PORTS	1/4 NPT PORTS	1/8 NPT PORTS	1/4 NPT PORTS	1/8 NPT PORTS	1/4 NPT PORTS
500	500	1/32	1/32	.024	.024	25GG7XGV	25GG9ZGV	25GG7XCV	25GG9ZCV		
235 (400)	235 (300)	3/64	3/64	.052	.052	25HH7XGV	25HH9ZGV	25HH7XCV	25HH9ZCV		
200 (225)	200 (200)	1/16	3/64	.095	.052	25JH7XGV	25JH9ZGV	25JH7XCV	25JH9ZCV		
150 (225)	150 (200)	1/16	1/16	.095	.095	25JJ7XGV	25JJ9ZGV	25JJ7XCV	25JJ9ZCV		
100 (150)	100 (125)	3/32	3/32	.156	.156	25KK7XGV	25KK9ZGV	25KK7XCV	25KK9ZCV		
100 (125)	100	1/8	3/32	.284	.156	25NK7XGV	25NK9ZGV	25NK7XCV	25NK9ZCV		
30 (40)	35 (40)	1/8	1/8	.284	.201	25NN7XGV [^]	25NN9ZGV [^]	25NN7XCV [^]	25NN9ZCV [^]		

[^] VALVES WITH 1/8 N.O. ORIFICE ARE UL LISTED ONLY

WHEN ORDERING VALVES OR REPAIR PACKS ADD VOLTAGE AND FREQUENCY TO COMPLETE VALVE NUMBER. EXAMPLES: VALVE (25JJ7XGV-120/60) REPAIR PACK (K25JJX-AC)

+ Ratings in brackets are optional extended ratings; consult factory.