

GENERAL PURPOSE VALVES



Series 30 >> Model 32

2-Way Normally Closed Valve

Complete range of valves particularly suitable when cost and size are major factors. The bodies are constructed of brass (stainless steel is optional). Air, water, and other fluids compatible with standard Buna seals. Hot water, steam, gasoline, and many oils require special seal materials.

- Brass body with stainless steel internal construction.
- A smaller, cost effective alternative to any industry standard.

OPERATING CONDITIONS

Media: Air, water, and other fluids compatible with standard Buna seals. Hot water, steam, gasoline, and many oils require special seal materials. (Series 30 pressure ratings may change due to the viscosity of the liquid.)*

Valve Temperature Range: Standard Valves - 0°F (-18°C) to 104°F (40°C) ambient; 0°F (-18°C) to 150°F (65°C) media. Optional Valves - can tolerate much higher or much lower ambient and media temperatures.*

Maximum Operating Pressure Differentials: See table on proceeding page.

Burst Pressure: 5000 PSI

Leakage: Bubble tight for standard valves.

Vacuum: To 5 Microns*

ELECTRICAL CHARACTERISTICS

Coil Voltage: 6.0 to 650V AC 60 HZ. and 5.2 to 560V AC 50 HZ. – 2.0 to 240V DC

Nominal Power: AC – 7.0 Watts, DC – 8.0 Watts

Coil Construction: Non-molded Class A, Molded and potted Class F. (Class H optional)

Typical Response Time on Air: 4 - 16 Milliseconds

Operating Speed: Up to 600 CPM

Duty Cycle: Continuous

MECHANICAL CHARACTERISTICS

Body: Brass (Std.) or Stainless Steel (Opt.)

Internal Components: Stainless Steel

Elastomers: Nitrile (Buna) (Std.). Many other elastomers available.*

Orifice Diameter: See table on proceeding page.

Porting: Standard 1/8" NPT (other ports available).*

Housing: Grommet and 1/2" NPT conduit - many options available.*

Listings: Most valves are UL and CSA listed.*

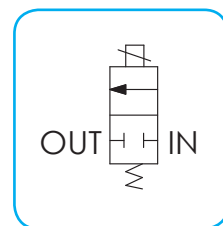
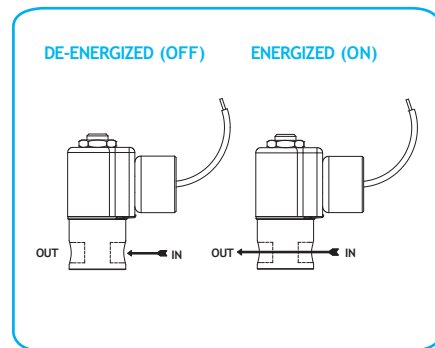
Life Expectancy: Millions of cycles, depending on application, lubrication, etc.

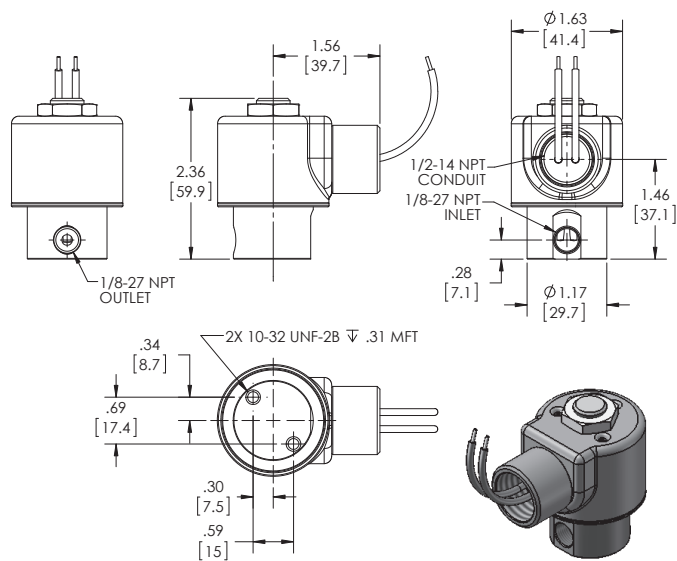
Valve Weight: Grommet Valve: 0.75 lb Conduit Valve: 0.81 lb

Repair Packs: See table on proceeding page.

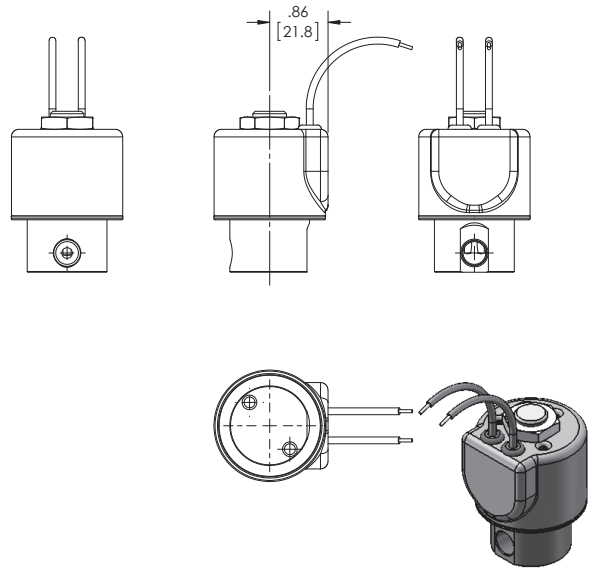
Options: Alternate Port Locations, Metering, Manual Override, Alternate Elastomers, Spade Terminal Coil

* Consult representative or factory for options and specifications.





**SERIES 30
MODEL 32
2WNC
CONDUIT CONNECTION**



**SERIES 30
MODEL 32
2WNC
GROMMET HOUSING WITH LEADS**

VALVE SPECIFICATIONS

MAX. OPER. PRESS. DIFF.		ORIFICE SIZE N.C.	CV FACTOR N.C.	VALVE NUMBER			
AC	DC			GROMMET HOUSING		CONDUIT HOUSING	
				1/8 NPT PORTS BRASS	1/8 NPT PORTS STAINLESS STEEL	1/8 NPT PORTS BRASS	1/8 NPT PORTS STAINLESS STEEL
375 (650)*	375 (650)*	1/32	.024	32G5DGV	—	32G5DCV	—
280 (650)*	280 (650)*	3/64	.055	32H5DGV	32H8DGV	32H5DCV	32H8DCV
275	250	1/16	.105	32J5DGV	32J8DGV	32J5DCV	32J8DCV
180	100	3/32	.195	32K5DGV	32K8DGV	32K5DCV	32K8DCV
130	80	7/64	.220	32L5DGV	32L8DGV	32L5DCV	32L8DCV
90	50	1/8	.275	32N5DGV	32N8DGV	32N5DCV	32N8DCV
60	25	5/32	.360	32O5DGV	32O8DGV	32O5DCV	32O8DCV
40	15	3/16	.400	32P5DGV	32P8DGV	32P5DCV	32P8DCV

WHEN ORDERING VALVES OR REPAIR PACKS ADD VOLTAGE AND FREQUENCY TO COMPLETE VALVE NUMBER. EXAMPLES: VALVE (32N5DGV-120/60) REPAIR PACK (K32NDD-AC).