

GENERAL PURPOSE VALVES



Series 50 >> Model 53

3-Way Normally Closed Valve – Exhaust to Atmosphere

Our original mini – engineered for space economy without sacrificing performance. Typical applications include medical, analytical instrumentation. Air, water, and other fluids compatible with standard Buna seals. Hot water, steam, gasoline, and many oils require special seal materials.

- Tough with options to use in hazardous location environments or low watt applications.
- High quality engineering.

OPERATING CONDITIONS

Media: Air, water, and other fluids compatible with standard Buna seals. Hot water, steam, gasoline, and many oils require special seal materials. (Series 50 pressure ratings may change due to the viscosity of the liquid.)*

Valve Temperature Range: Standard Valves - 0°F (-18°C) to 104°F (40°C) ambient; 0°F (-18°C) to 150°F (65°C) media. Optional Valves - can tolerate much higher or much lower ambient and media temperatures.*

Maximum Operating Pressure Differentials: See table on proceeding page.

Burst Pressure: 5000 PSI

Leakage: Bubble tight for standard valves.

Vacuum: To 5 Microns*

ELECTRICAL CHARACTERISTICS

Coil Voltage: 6.0 to 575V AC 60 HZ. and 5.4 to 515V AC 50 HZ. – 3.0 to 300V DC

Nominal Power: AC – 6.0 Watts, DC – 7.0 Watts

Coil Construction: Molded and potted Class F. (Class H optional)

Typical Response Time on Air: 4 - 16 Milliseconds

Operating Speed: Up to 600 CPM

Duty Cycle: Continuous

MECHANICAL CHARACTERISTICS

Body: Stainless Steel (Std.), Brass (Opt.) or Aluminum (Opt.)

Internal Components: Stainless Steel

Elastomers: Nitrile (Buna) (Std.). Many other elastomers available.*

Orifice Diameter: See table on proceeding page.

Porting: Standard 1/8" NPT (other ports available).*

Housing: Grommet and 1/2" NPT conduit - many options available.*

Listings: Most valves are UL and CSA listed.*

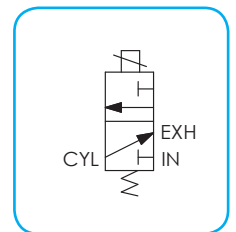
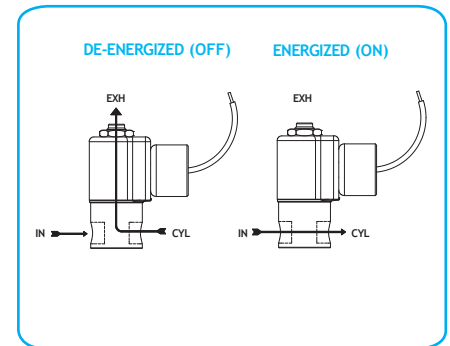
Life Expectancy: Millions of cycles, depending on application, lubrication, etc.

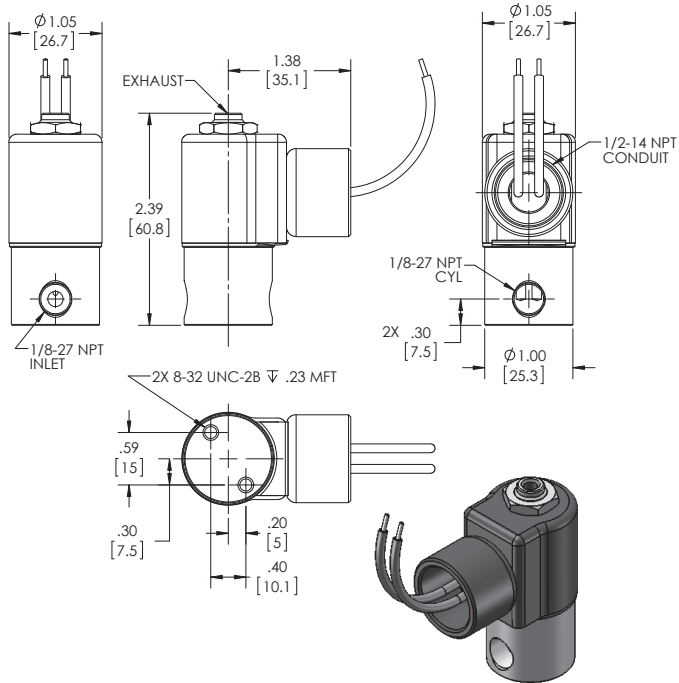
Valve Weight: Grommet Valve: 0.38 lb Conduit Valve: 0.44 lb

Repair Packs: See table on proceeding page.

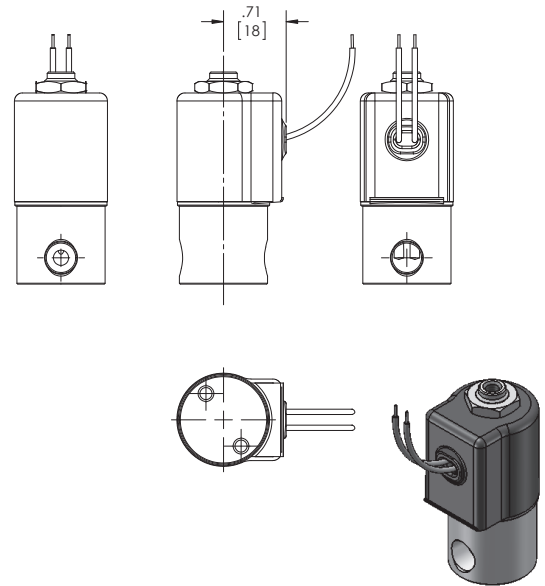
Options: Alternate Port Locations, Metering, Alternate Elastomers, Low Wattage, Spade Terminal Coil and Explosion Proof

* Consult representative or factory for options and specifications.





**SERIES 50
MODEL 53
3WNC EXHAUST TO ATMOSPHERE
CONDUIT CONNECTION**



**SERIES 50
MODEL 53
3WNC EXHAUST TO ATMOSPHERE
GROMMET HOUSING WITH LEADS**

VALVE SPECIFICATIONS

MAX. OPER. PRESS. DIFF.		ORIFICE SIZE		CV FACTOR		VALVE NUMBER	
AC	DC	N.C.	N.O.	N.C.	N.O.	GROMMET HOUSING 1/8 NPT PORTS	CONDUIT HOUSING 1/8 NPT PORTS
200	200	1/32	1/32	.022	.020	53GG8DGM	53GG8DCM
150	150	3/64	3/64	.055	.048	53HH8DGM	53HH8DCM
150	150	3/64	1/16	.055	.075	53HJ8DGM	53HJ8DCM
100	100	1/16	1/16	.075	.075	53JJ8DGM	53JJ8DCM
60	60	3/32	1/16	.156	.075	53KJ8DGM	53KJ8DCM
50	50	3/32	3/32	.156	.150	53KK8DGM	53KK8DCM
30	30	1/8	1/16	.230	.075	53NJ8DGM	53NJ8DCM
30	30	1/8	3/32	.230	.150	53NK8DGM	53NK8DCM

WHEN ORDERING VALVES OR REPAIR PACKS ADD VOLTAGE AND FREQUENCY TO COMPLETE VALVE NUMBER. EXAMPLES: VALVE (53JJ8DGM-120/60) REPAIR PACK (K53JJD-AC).