

GENERAL PURPOSE VALVES



Series 50 >> Model 55

3-Way Directional Control Valve

Our original mini – engineered for space economy without sacrificing performance. Typical applications include medical, analytical instrumentation. Air, water, and other fluids compatible with standard Buna seals. Hot water, steam, gasoline, and many oils require special seal materials.

- Tough with options to use in hazardous location environments or low watt applications.
- High quality engineering.

OPERATING CONDITIONS

Media: Air, water, and other fluids compatible with standard Buna seals. Hot water, steam, gasoline, and many oils require special seal materials. (Series 50 pressure ratings may change due to the viscosity of the liquid.)*

Valve Temperature Range: Standard Valves - 0°F (-18°C) to 104°F (40°C) ambient; 0°F (-18°C) to 150°F (65°C) media. Optional Valves - can tolerate much higher or much lower ambient and media temperatures.*

Maximum Operating Pressure Differentials: See table on proceeding page.

Burst Pressure: 5000 PSI

Leakage: Bubble tight for standard valves.

Vacuum: To 5 Microns*

ELECTRICAL CHARACTERISTICS

Coil Voltage: 6.0 to 575V AC 60 HZ. and 5.4 to 515V AC 50 HZ. – 3.0 to 300V DC

Nominal Power: AC – 6.0 Watts, DC – 7.0 Watts

Coil Construction: Molded and potted Class F. (Class H optional)

Typical Response Time on Air: 4 - 16 Milliseconds

Operating Speed: Up to 600 CPM

Duty Cycle: Continuous

MECHANICAL CHARACTERISTICS

Body: Stainless Steel (Std.), Brass (Opt.) or Aluminum (Opt.)

Internal Components: Stainless Steel

Elastomers: Nitrile (Buna) (Std.). Many other elastomers available.*

Orifice Diameter: See table on proceeding page.

Porting: Standard 1/8" NPT (other ports available).*

Housing: Grommet and 1/2" NPT conduit - many options available.*

Listings: Most valves are UL and CSA listed.*

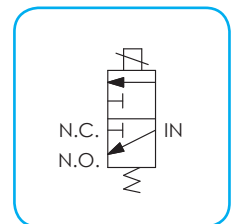
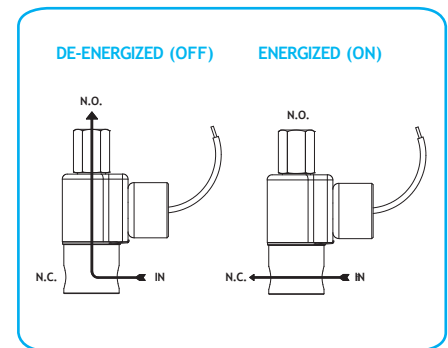
Life Expectancy: Millions of cycles, depending on application, lubrication, etc.

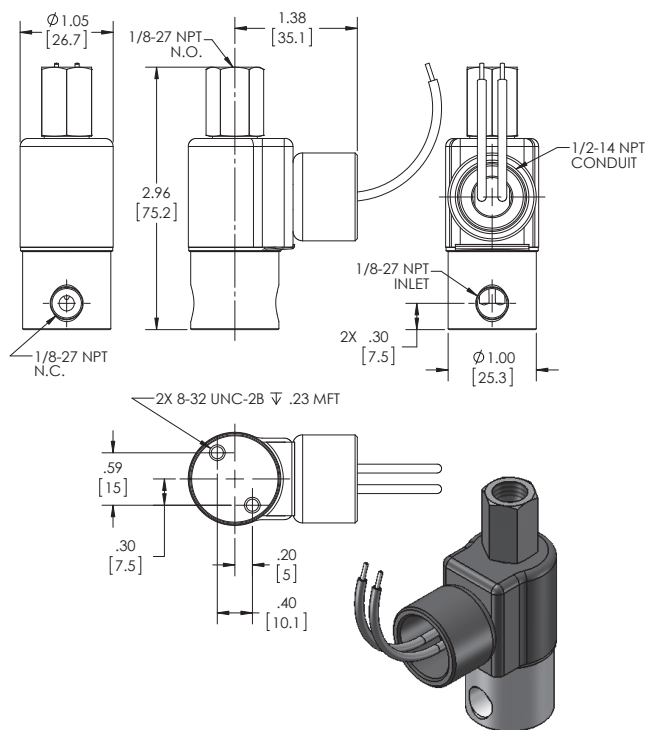
Valve Weight: Grommet Valve: 0.38 lb Conduit Valve: 0.44 lb

Repair Packs: See table on proceeding page.

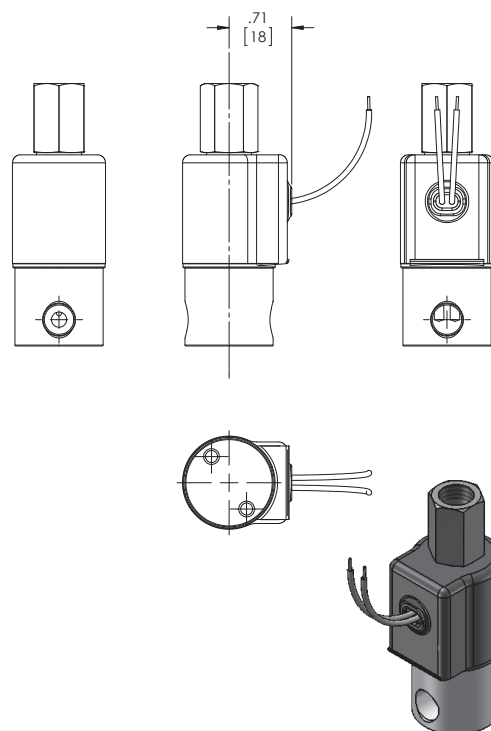
Options: Alternate Port Locations, Metering, Alternate Elastomers, Low Wattage, Spade Terminal Coil and Explosion Proof

* Consult representative or factory for options and specifications.





**SERIES 50
MODEL 55
3W DIRECTIONAL CONTROL
CONDUIT CONNECTION**



**SERIES 50
MODEL 55
3W DIRECTIONAL CONTROL
GROMMET HOUSING WITH LEADS**

VALVE SPECIFICATIONS

MAX. OPER. PRESS. DIFF.		ORIFICE SIZE		CV FACTOR		VALVE NUMBER	
AC	DC	N.C.	N.O.	N.C.	N.O.	GROMMET HOUSING 1/8 NPT PORTS	CONDUIT HOUSING 1/8 NPT PORTS
300	200	1/32	1/32	.022	.020	55GG8XGM	55GG8XCM
200	100	3/64	3/64	.055	.048	55HH8XGM	55HH8XCM
100	50	1/16	1/16	.075	.075	55JJ8XGM	55JJ8XCM
75	25	3/32	1/16	.156	.075	55KJ8XGM	55KJ8XCM
75	40	3/32	3/32	.156	.150	55KK8XGM	55KK8XCM
45	25	1/8	3/32	.230	.150	55NK8XGM	55NK8XCM

WHEN ORDERING VALVES OR REPAIR PACKS ADD VOLTAGE AND FREQUENCY TO COMPLETE VALVE NUMBER. EXAMPLES: VALVE (55JJ8XGM-120/60) REPAIR PACK (K55JJX-AC).