

GENERAL PURPOSE VALVES



Series 58 >> Model 581

Low Watt – 2-Way Normally Open Valve

Easily interfaced with circuit boards and miniaturized components. The versatility is for connecting electronic signals to pneumatic outputs. The small size is ideal for stand alone (with #10-32 ports) or multiple valves mounted on one manifold. Air and other common gases – filtration recommended – 30 microns or less.

- May be used to “pilot” larger valves.
- Ideal for micro electronic production equipment.
- Great for medical and chemical analytical applications.
- Can operate directly from most programmable controllers.
- High quality engineering.

OPERATING CONDITIONS

Media: Air and other common gases – filtration recommended – 30 microns or less.

Valve Temperature Range: Standard Valves – 5° F (-15°C) to 122° F (50°C) ambient; media.

Maximum Operating Pressure Differentials: See table on proceeding page.

Burst Pressure: 1500 PSI

Leakage: Bubble tight for standard valves.

Vacuum: To 5 Microns*

ELECTRICAL CHARACTERISTICS

Coil Voltage: 14 to 220V AC 60 HZ. and 13 to 202V AC 50 HZ. – 3.0 to 150V DC

Nominal Power: AC – 3.5 Watts, DC – 3.5 Watts

Coil Construction: Molded Class A with leadwires and Micro DIN.

Typical Response Time on Air: AC – 3 to 9 Milliseconds, DC – 9 Milliseconds

Operating Speed: Up to 1000 CPM

Duty Cycle: Continuous

MECHANICAL CHARACTERISTICS

Body: Polyester Plastic (Std.), Round Brass or Stainless Steel (Opt.)

Internal Components: Stainless Steel

Elastomers: Nitrile (Buna) (Std.). Many other elastomers available.*

Orifice Diameter: See table on proceeding page.

Porting: #10-32

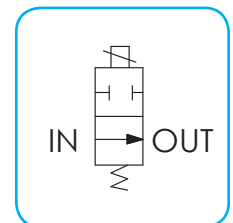
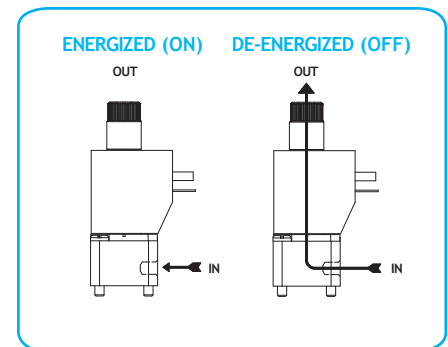
Life Expectancy: Millions of cycles, depending on application, lubrication, etc.

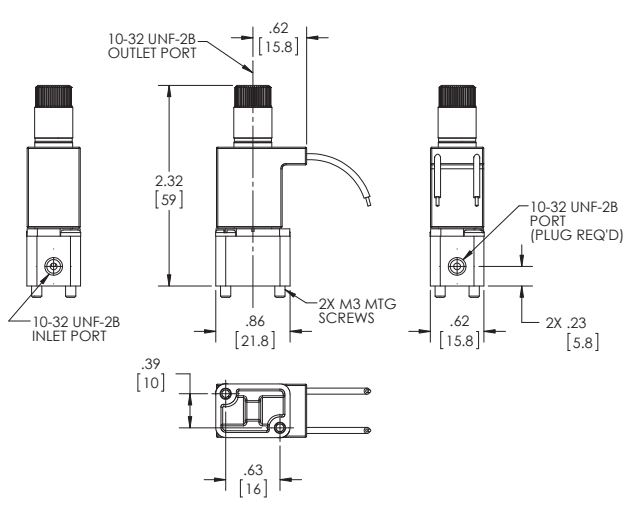
Valve Weight: 0.13 lbs

Repair Packs: See table on proceeding page.

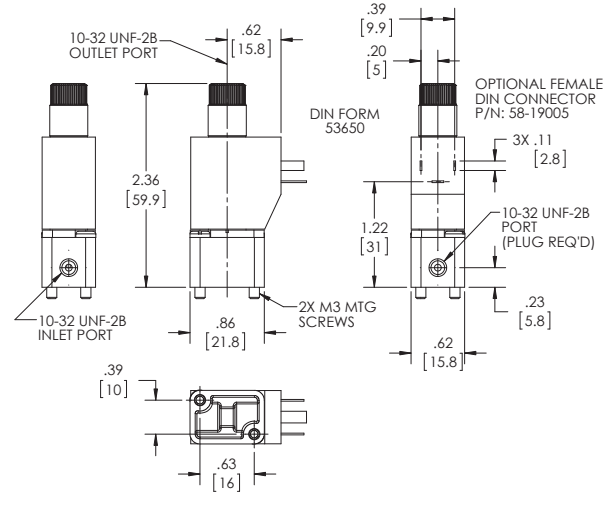
Options: Round Stainless Steel or Brass Body, Male Stud Mount, Manual Override, M5 Ports and Manifold Mount.*

* Consult representative or factory for options and specifications.





**SERIES 58
MODEL 581
2WNO MOLDED WITH LEADS**



**SERIES 58
MODEL 581
2WNO DIN STYLE**

VALVE SPECIFICATIONS

MAX. OPER. PRESS. DIFF.		ORIFICE SIZE N.O.	CV FACTOR N.O.	VALVE NUMBER	
AC	DC			LEAD WIRE	MICRO DIN
300	300	0.6 mm	.010	581A19PGM	581A19PE
275	275	0.8 mm	.020	581F19PGM	581F19PE
230	230	1.0 mm	.030	581M19PGM	581M19PE
150	150	1.2 mm	.034	581W19PGM	581W19PE

WHEN ORDERING VALVES OR REPAIR PACKS ADD VOLTAGE AND FREQUENCY TO COMPLETE VALVE NUMBER. EXAMPLES: VALVE (581M19PGM 120/60) REPAIR PACK (K581M19 AC).