

# GENERAL PURPOSE VALVES



## Series 70 >> Model 72

### 2-Way Normally Closed Valve

Super valves that have ratings that formerly required valves of much greater size. Air, water, and other fluids compatible with standard Buna seals. Hot water, steam, gasoline, and many oils require special seal materials.

- **Largest direct acting (non-piloted) valve we manufacture.**
- **Large orifice.**
- **High flow.**
- **Will operate effectively at very low pressures or vacuum.**

## OPERATING CONDITIONS

**Media:** Air, water, and other fluids compatible with standard Buna seals. Hot water, steam, gasoline, and many oils require special seal materials. (Series 70 pressure ratings may change due to the viscosity of the liquid.)\*

**Valve Temperature Range:** Standard Valves - 0°F (-18°C) to 104°F (40°C) ambient; 0°F (-18°C) to 150°F (65°C) media. Optional Valves - can tolerate much higher or much lower ambient and media temperatures.\*

**Maximum Operating Pressure Differentials:** See table on proceeding page.

**Burst Pressure:** 4000 PSI

**Leakage:** Bubble tight for standard valves.

**Vacuum:** To 5 Microns\*

## ELECTRICAL CHARACTERISTICS

**Coil Voltage:** 12 to 1150V AC 60 HZ. and 11 to 1035V AC 50 HZ. – 2.5 to 220V DC

**Nominal Power:** AC – 18.0 Watts DC – 16.0 Watts

**Coil Construction:** Non-molded Class A (Std.), Molded and Potted Class F or Class H (Opt.)

**Typical Response Time on Air:** 4 - 16 Milliseconds

**Operating Speed:** Up to 600 CPM

**Duty Cycle:** Continuous

## MECHANICAL CHARACTERISTICS

**Body:** Stainless Steel (Std.) or Brass (Opt.)

**Internal Components:** Stainless Steel

**Elastomers:** Nitrile (Buna) (Std.). Many other elastomers available.\*

**Orifice Diameter:** See table on proceeding page.

**Porting:** Standard 1/4" NPT (other ports available).\*

**Housing:** Grommet and 1/2" NPT conduit - many options available.\*

**Listings:** Most valves are UL and CSA listed.\*

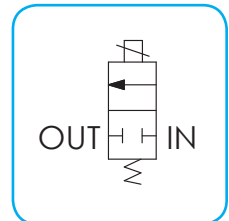
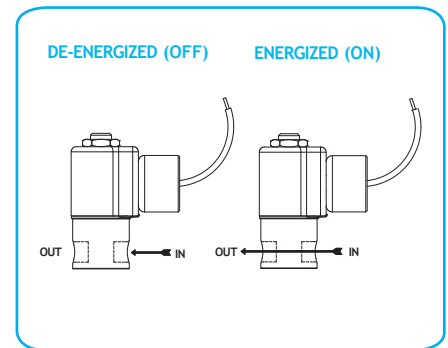
**Life Expectancy:** Millions of cycles, depending on application, lubrication, etc.

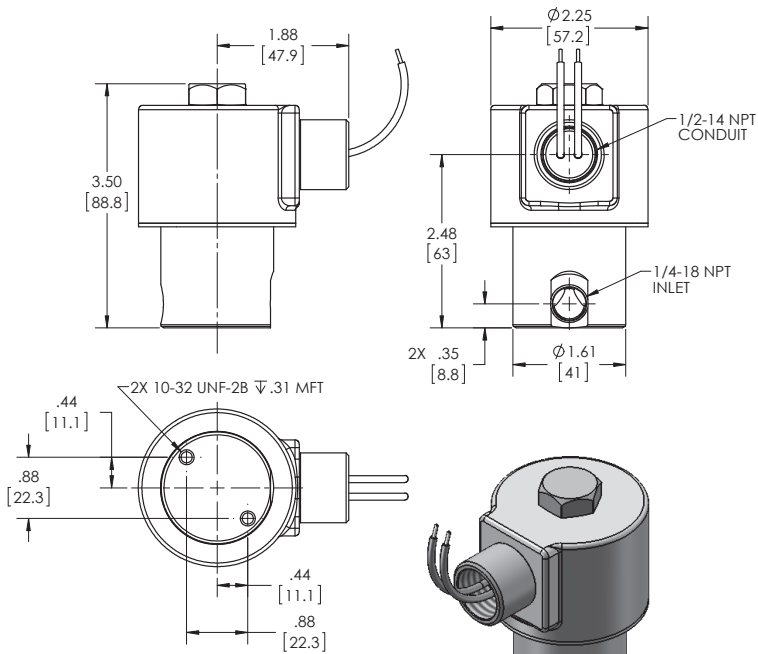
**Valve Weight:** Grommet Valve: 2.00 lb Conduit Valve: 2.06 lb

**Repair Packs:** See table on proceeding page.

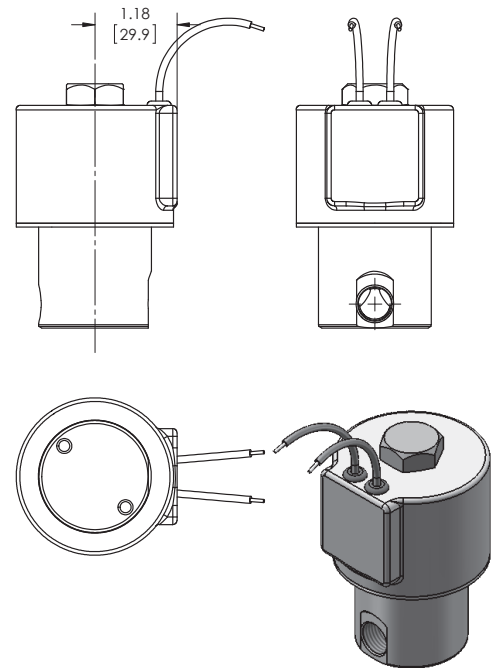
**Options:** Alternate Port Locations, Metering and Alternate Elastomers

\* Consult representative or factory for options and specifications.





**SERIES 70  
MODEL 72 1/4-18 NPT  
2WNC  
CONDUIT CONNECTION**



**SERIES 70  
MODEL 72 1/4-18 NPT  
2WNC  
CONDUIT CONNECTION**

## VALVE SPECIFICATIONS

MAX. OPER. PRESS. DIFF.		ORIFICE SIZE N.C.	CV FACTOR N.C.	VALVE NUMBER	
AC	DC			GROMMET HOUSING 1/4 NPT PORTS	CONDUIT HOUSING 1/4 NPT PORTS
500	500	3/32	.22	72K9DGV	72K9DCV
300	300	1/8	.35	72N9DGV	72N9DCV
225	225	5/32	.45	72O9DGV	72O9DCV
140	140	3/16	.55	72P9DGV	72P9DCV
100	100	1/4	.78	72R9DGV	72R9DCV

WHEN ORDERING VALVES OR REPAIR PACKS ADD VOLTAGE AND FREQUENCY TO COMPLETE VALVE NUMBER. EXAMPLES: VALVE (72R9DGV-120/60) REPAIR PACK (K72RDD-AC).