

# GENERAL PURPOSE VALVES



## Series 70 >> Model 73

### 3-Way Normally Closed – Exhaust to Atmosphere

Super valves that have ratings that formerly required valves of much greater size. Air, water, and other fluids compatible with standard Buna seals. Hot water, steam, gasoline, and many oils require special seal materials.

- Largest direct acting (non-piloted) valve we manufacture.
- Large orifice.
- High flow.
- Will operate effectively at very low pressures or vacuum.

## OPERATING CONDITIONS

**Media:** Air, water, and other fluids compatible with standard Buna seals. Hot water, steam, gasoline, and many oils require special seal materials. (Series 70 pressure ratings may change due to the viscosity of the liquid.)\*

**Valve Temperature Range:** Standard Valves - 0°F (-18°C) to 104°F (40°C) ambient; 0°F (-18°C) to 150°F (65°C) media. Optional Valves - can tolerate much higher or much lower ambient and media temperatures.\*

**Maximum Operating Pressure Differentials:** See table on proceeding page.

**Burst Pressure:** 4000 PSI

**Leakage:** Bubble tight for standard valves.

**Vacuum:** To 5 Microns\*

## ELECTRICAL CHARACTERISTICS

**Coil Voltage:** 12 to 1150V AC 60 HZ. and 11 to 1035V AC 50 HZ. – 2.5 to 220V DC

**Nominal Power:** AC – 18.0 Watts DC – 16.0 Watts

**Coil Construction:** Non-molded Class A (Std.), Molded and Potted Class F or Class H (Opt.)

**Typical Response Time on Air:** 4 - 16 Milliseconds

**Operating Speed:** Up to 600 CPM

**Duty Cycle:** Continuous

## MECHANICAL CHARACTERISTICS

**Body:** Stainless Steel (Std.) or Brass (Opt.)

**Internal Components:** Stainless Steel

**Elastomers:** Nitrile (Buna) (Std.). Many other elastomers available.\*

**Orifice Diameter:** See table on proceeding page.

**Porting:** Standard 1/4" NPT (other ports available).\*

**Housing:** Grommet and 1/2" NPT conduit - many options available.\*

**Listings:** Most valves are UL and CSA listed.\*

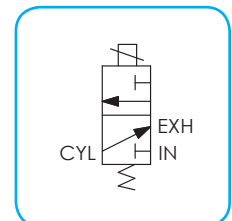
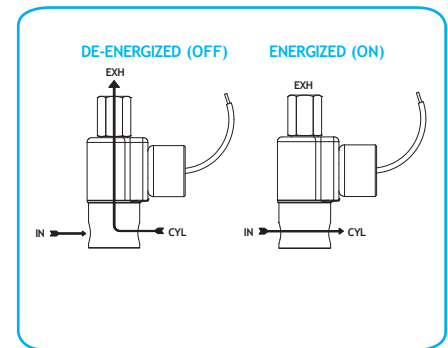
**Life Expectancy:** Millions of cycles, depending on application, lubrication, etc.

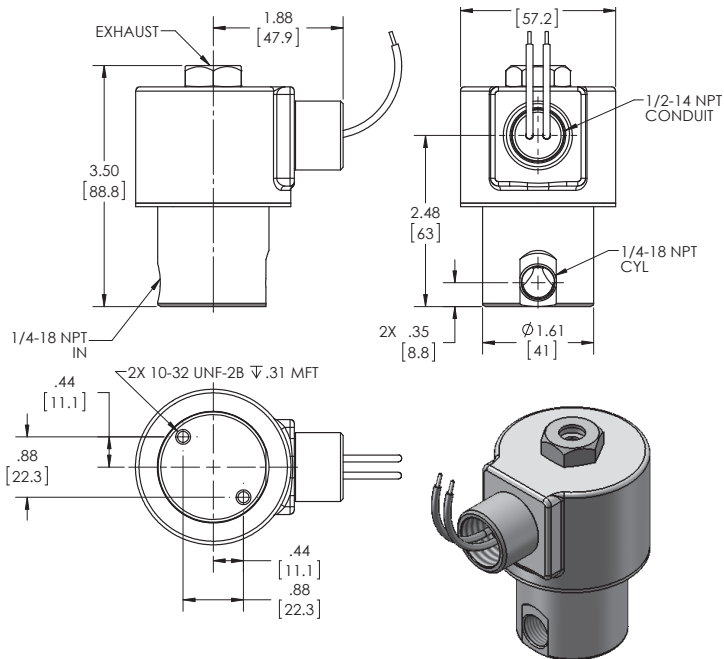
**Valve Weight:** Grommet Valve: 2.00 lb Conduit Valve: 2.06 lb

**Repair Packs:** See table on proceeding page.

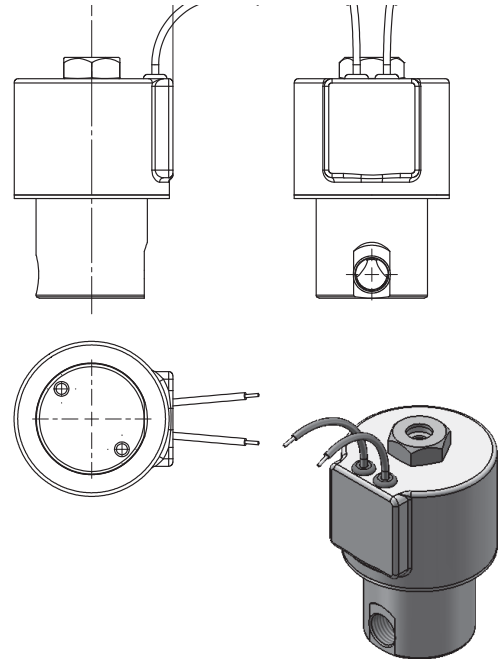
**Options:** Alternate Port Locations, Metering and Alternate Elastomers

\* Consult representative or factory for options and specifications.





**SERIES 70  
MODEL 73 1/4-18 NPT  
3WNC EXHAUST TO ATMOSPHERE  
CONDUIT CONNECTION**



**SERIES 70  
MODEL 73 1/4-18 NPT  
3WNC EXHAUST TO ATMOSPHERE  
GROMMET HOUSING WITH LEADS**

## VALVE SPECIFICATIONS

| MAX. OPER. PRESS. DIFF. |     | ORIFICE SIZE |      | CV FACTOR |      | VALVE NUMBER                     |                                  |
|-------------------------|-----|--------------|------|-----------|------|----------------------------------|----------------------------------|
| AC                      | DC  | N.C.         | N.O. | N.C.      | N.O. | GROMMET HOUSING<br>1/4 NPT PORTS | CONDUIT HOUSING<br>1/4 NPT PORTS |
| 350                     | 350 | 1/16         | 1/16 | .09       | .09  | 73JJ9DGV                         | 73JJ9DCV                         |
| 250                     | 250 | 3/32         | 3/32 | .22       | .22  | 73KK9DGV                         | 73KK9DCV                         |
| 175                     | 175 | 1/8          | 1/8  | .35       | .35  | 73NN9DGV                         | 73NN9DCV                         |
| 125                     | 125 | 5/32         | 5/32 | .45       | .45  | 73OO9DGV                         | 73OO9DCV                         |
| 100                     | 100 | 3/16         | 3/16 | .50       | .50  | 73PP9DGV                         | 73PP9DCV                         |
| 50                      | 50  | 1/4          | 3/16 | .78       | .50  | 73RP9DGV                         | 73RP9DCV                         |

WHEN ORDERING VALVES OR REPAIR PACKS ADD VOLTAGE AND FREQUENCY TO COMPLETE VALVE NUMBER. EXAMPLES: VALVE (73OO9DGV-120/60) REPAIR PACK (K73OOD-AC).