

GENERAL PURPOSE VALVES



Series 70 >> Model 73

3-Way Normally Closed – Piped Exhaust

Super valves that have ratings that formerly required valves of much greater size. Air, water, and other fluids compatible with standard Buna seals. Hot water, steam, gasoline, and many oils require special seal materials.

- Largest direct acting (non-piloted) valve we manufacture.
- Large orifice.
- High flow.
- Will operate effectively at very low pressures or vacuum.

OPERATING CONDITIONS

Media: Air, water, and other fluids compatible with standard Buna seals. Hot water, steam, gasoline, and many oils require special seal materials. (Series 70 pressure ratings may change due to the viscosity of the liquid.)*

Valve Temperature Range: Standard Valves - 0°F (-18°C) to 104°F (40°C) ambient; 0°F (-18°C) to 150°F (65°C) media. Optional Valves - can tolerate much higher or much lower ambient and media temperatures.*

Maximum Operating Pressure Differentials: See table on proceeding page.

Burst Pressure: 4000 PSI

Leakage: Bubble tight for standard valves.

Vacuum: To 5 Microns*

ELECTRICAL CHARACTERISTICS

Coil Voltage: 12 to 1150V AC 60 HZ. and 11 to 1035V AC 50 HZ. – 2.5 to 220V DC

Nominal Power: AC – 18.0 Watts DC – 16.0 Watts

Coil Construction: Non-molded Class A (Std.), Molded and Potted Class F or Class H (Opt.)

Typical Response Time on Air: 4 - 16 Milliseconds

Operating Speed: Up to 600 CPM

Duty Cycle: Continuous

MECHANICAL CHARACTERISTICS

Body: Stainless Steel (Std.) or Brass (Opt.)

Internal Components: Stainless Steel

Elastomers: Nitrile (Buna) (Std.). Many other elastomers available.*

Orifice Diameter: See table on proceeding page.

Porting: Standard 1/4" NPT (other ports available).*

Housing: Grommet and 1/2" NPT conduit - many options available.*

Listings: Most valves are UL and CSA listed.*

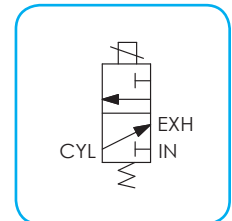
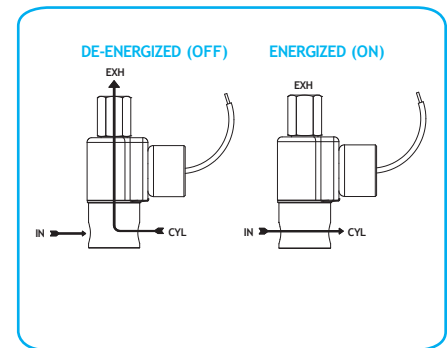
Life Expectancy: Millions of cycles, depending on application, lubrication, etc.

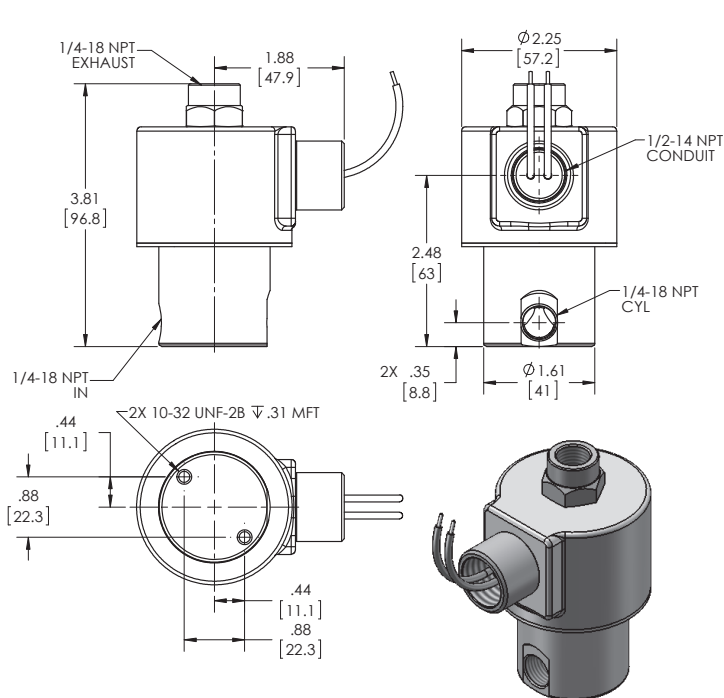
Valve Weight: Grommet Valve: 2.00 lb Conduit Valve: 2.06 lb

Repair Packs: See table on proceeding page.

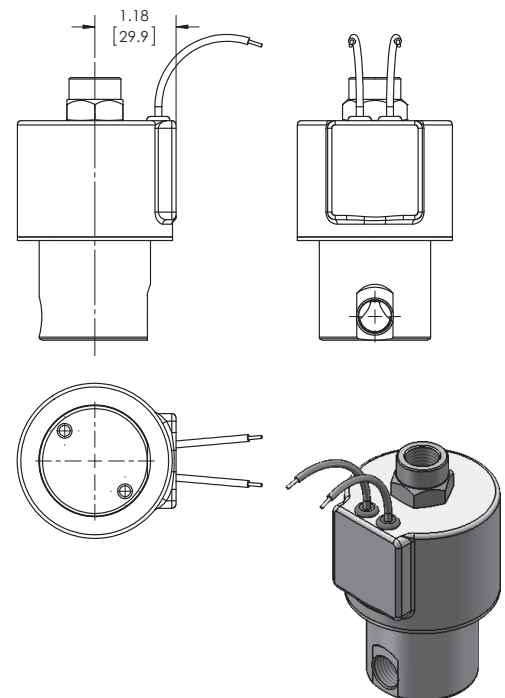
Options: Alternate Port Locations, Metering and Alternate Elastomers

* Consult representative or factory for options and specifications.





**SERIES 70
MODEL 73 1/4-18 NPT
3WNC PIPED EXHAUST
CONDUIT CONNECTION**



**SERIES 70
MODEL 73 1/4-18 NPT
3WNC PIPED EXHAUST
GROMMET HOUSING WITH LEADS**

VALVE SPECIFICATIONS

MAX. OPER. PRESS. DIFF.		ORIFICE SIZE		CV FACTOR		VALVE NUMBER	
AC	DC	N.C.	N.O.	N.C.	N.O.	GROMMET HOUSING 1/4 NPT PORTS	CONDUIT HOUSING 1/4 NPT PORTS
350	350	1/16	1/16	.09	.09	73JJ9ZGV	73JJ9ZCV
250	250	3/32	3/32	.22	.22	73KK9ZGV	73KK9ZCV
175	175	1/8	1/8	.35	.35	73NN9ZGV	73NN9ZCV
125	125	5/32	5/32	.45	.45	73OO9ZGV	73OO9ZCV
100	100	3/16	3/16	.50	.50	73PP9ZGV	73PP9ZCV
50	50	1/4	3/16	.78	.50	73RP9ZGV	73RP9ZCV

WHEN ORDERING VALVES OR REPAIR PACKS ADD VOLTAGE AND FREQUENCY TO COMPLETE VALVE NUMBER. EXAMPLES: VALVE (73OO9ZGV-120/60) REPAIR PACK (K73OOX-AC).