



## Series L58 >> Model L582

### Very Low Watt – 2-Way Normally Closed Valve

Easily interfaced with circuit boards and miniaturized components. The versatility is for connecting electronic signals to pneumatic outputs. The small size is ideal for stand alone (with #10-32 ports) or multiple valves mounted on one manifold. Air and other common gases – filtration recommended – 30 microns or less.

- May be used to “pilot” larger valves.
- Ideal for micro electronic production equipment.
- Great for medical and chemical analytical applications.
- Can operate directly from most programmable controllers.
- High quality engineering.

## OPERATING CONDITIONS

**Media:** Air and other common gases – filtration recommended – 30 microns or less.  
**Valve Temperature Range:** Standard Valves – 5° F (-15°C) to 122° F (50°C) ambient; media.  
**Maximum Operating Pressure Differentials:** See table on proceeding page.  
**Burst Pressure:** 1500 PSI  
**Leakage:** Bubble tight for standard valves.  
**Vacuum:** To 5 Microns\*

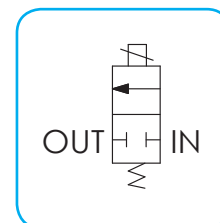
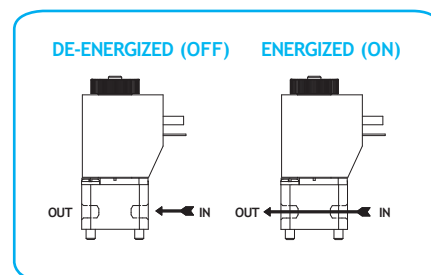
## ELECTRICAL CHARACTERISTICS

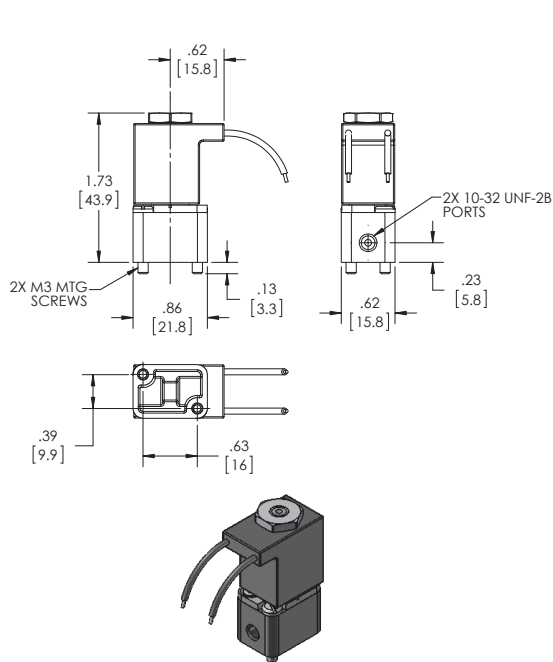
**Coil Voltage:** 3.0 to 72V DC  
**Nominal Power:** DC – .9 Watts  
**Coil Construction:** Molded Class A with leadwires and Micro DIN.  
**Typical Response Time on Air:** AC – 3 to 9 Milliseconds, DC – 9 Milliseconds  
**Operating Speed:** Up to 600 CPM  
**Duty Cycle:** Continuous

## MECHANICAL CHARACTERISTICS

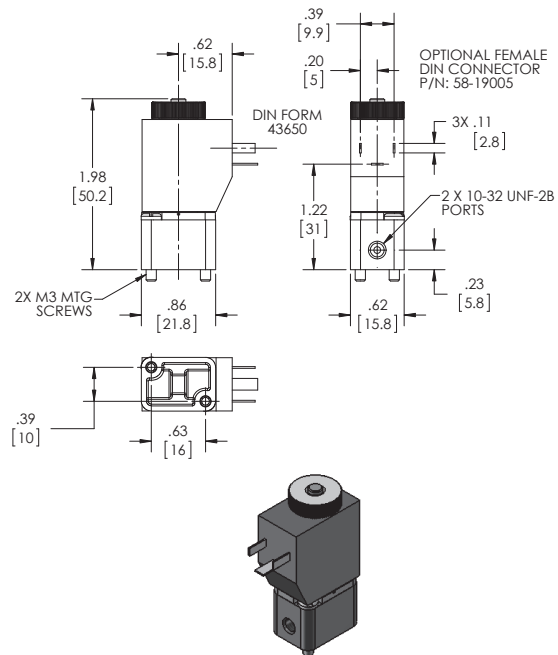
**Body:** Polyester Plastic (Std.), Round Brass or Stainless Steel (Opt.)  
**Internal Components:** Stainless Steel  
**Elastomers:** Nitrile (Buna) (Std.). Many other elastomers available.\*  
**Orifice Diameter:** See table on proceeding page.  
**Porting:** #10-32  
**Life Expectancy:** Millions of cycles, depending on application, lubrication, etc.  
**Valve Weight:** 0.13 lbs  
**Repair Packs:** See table on proceeding page.  
**Options:** Round Stainless Steel or Brass Body, Male Stud Mount, Manual Override, M5 Ports and Manifold Mount.\*

\* Consult representative or factory for options and specifications.





**SERIES L58 MODEL L582  
2WNO MOLDED WITH LEADS**



**SERIES L58 MODEL L582  
2WNO DIN STYLE**

## VALVE SPECIFICATIONS

| MAX. OPER.<br>PRESS. DIFF. | ORIFICE SIZE | CV FACTOR | VALVE NUMBER |           |
|----------------------------|--------------|-----------|--------------|-----------|
| DC                         | N.O.         | N.O.      | LEAD WIRE    | MICRO DIN |
| 150                        | 0.6 mm       | .010      | L582A19DGM   | L582A19DE |

WHEN ORDERING VALVES OR REPAIR PACKS ADD VOLTAGE AND FREQUENCY TO COMPLETE VALVE NUMBER. EXAMPLES: VALVE (L582A19DG-12/DC) REPAIR PACK (KL582A19-DC)