

LOW WATT VALVES



Series L58 >> Model L583

Very Low Watt – 3-Way Normally Closed Valve Exhaust to Atmosphere

Easily interfaced with circuit boards and miniaturized components. The versatility is for connecting electronic signals to pneumatic outputs. The small size is ideal for stand alone (with #10-32 ports) or multiple valves mounted on one manifold. Air and other common gases – filtration recommended – 30 microns or less.

- May be used to “pilot” larger valves.
- Ideal for micro electronic production equipment.
- Great for medical and chemical analytical applications.
- Can operate directly from most programmable controllers.

OPERATING CONDITIONS

Media: Air and other common gases – filtration recommended – 30 microns or less.
Valve Temperature Range: Standard Valves – 5° F (-15°C) to 122° F (50°C) ambient; media.
Maximum Operating Pressure Differentials: See table on preceding page.
Burst Pressure: 1500 PSI
Leakage: Bubble tight for standard valves.
Vacuum: To 5 Microns*

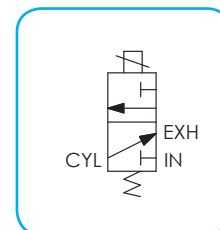
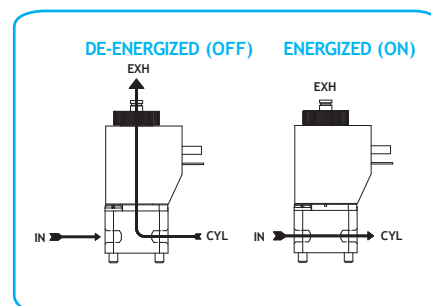
ELECTRICAL CHARACTERISTICS

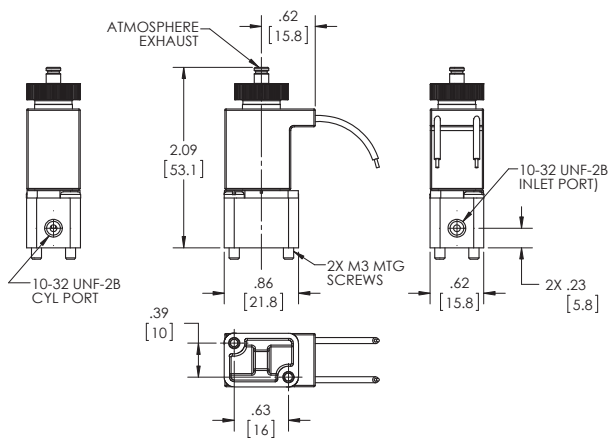
Coil Voltage: 3.0 to 72V DC
Nominal Power: DC – .9 Watts
Coil Construction: Molded Class A with leadwires and Micro DIN.
Typical Response Time on Air: AC – 3 to 9 Milliseconds, DC – 9 Milliseconds
Operating Speed: Up to 600 CPM
Duty Cycle: Continuous

MECHANICAL CHARACTERISTICS

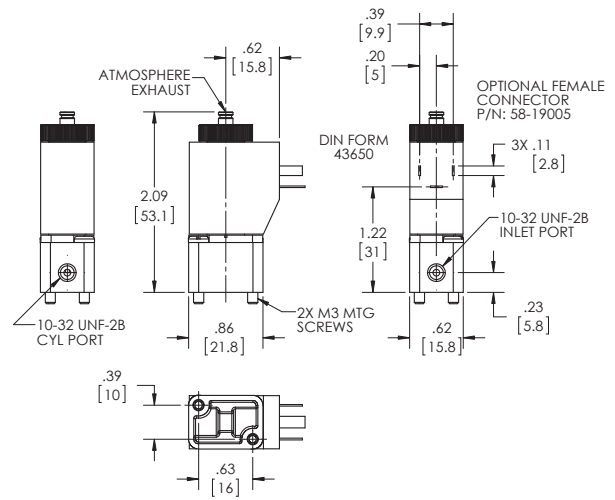
Body: Polyester Plastic (Std.), Round Brass or Stainless Steel (Opt.)
Internal Components: Stainless Steel
Elastomers: Nitrile (Buna) (Std.). Many other elastomers available.*
Orifice Diameter: See table on preceding page.
Porting: #10-32
Life Expectancy: Millions of cycles, depending on application, lubrication, etc.
Valve Weight: 0.13 lbs
Repair Packs: See table on preceding page.
Options: Round Stainless Steel or Brass Body, Male Stud Mount, Manual Override, M5 Ports and Manifold Mount.*

* Consult representative or factory for options and specifications.





SERIES L58 MODEL L583
3WNO EXHAUST TO ATMOSPHERE
MOLDED WITH LEADS



SERIES L58 MODEL L583
3WNO EXHAUST TO ATMOSPHERE
DIN STYLE

VALVE SPECIFICATIONS

MAX. OPER. PRESS. DIFF.	ORIFICE SIZE		CV FACTOR		VALVE NUMBER	
	DC	N.C	N.C.	N.O.	LEAD WIRE	MICRO DIN
145	0.6 mm	0.6 mm	.010	.010	L583AA19DGM	L583AA19DE
145	0.8 mm	0.8 mm	.010	.020	L583AF19DGM	L583AF19DE

WHEN ORDERING VALVES OR REPAIR PACKS ADD VOLTAGE AND FREQUENCY TO COMPLETE VALVE NUMBER. EXAMPLES: VALVE (L583AF19DG-12/DC) REPAIR PACK (L583AF19DG-12/DC)