



## Series 80 >> Model 828

### Large Orifice, Internally Piloted – 2-Way Normally Closed Valve

Peter Paul offers a line of large orifice solenoid valves to address process industry requirements for high flow rate or quick dump and fill capacity. These AC or DC powered valves are also suited for low pressure gas and liquid applications. Port sizes for internal pilot, two way normally closed versions range from 1/2" to 3" NPT, with pressure ratings from 3 to 200 PSI.

- Large orifice sizes for high flow applications.
- Body is made of brass forgings.
- Operate on differential pressure – Internal Pilot.
- NPT threaded connections.
- Same coils and housings as our popular 20 Series.

## OPERATING CONDITIONS

**Media:** Air, water, and other fluids compatible with Buna seals. Hot water, steam, gasoline and many oils require special seal materials. Consult representative or factory. (Series 80 pressure ratings may change due to the viscosity of the liquid.)\*

**Valve Temperature Range:** Standard Valves - 0°F (-18°C) to 104°F (40°C) ambient; 0°F (-18°C) to 150°F (65°C) media. Optional Valves - can tolerate much higher or much lower ambient and media temperatures.\*

**Maximum Operating Pressure Differentials:** See table on proceeding page.

**Minimum Operating Pressure Differentials:** 3 PSI

**Leakage:** Bubble tight

## ELECTRICAL CHARACTERISTICS

**Coil Voltage:** 6 to 825V AC 60 HZ. and 5 to 720V AC 50 HZ. – 1.8 to 265V DC

**Nominal Power:** AC – 7.7 Watts DC – 9.5 Watts

**Coil Construction:** Non-molded Class A (Std.), Molded and Potted Class F or Class H (Opt.)

**Operating Speed:** Up to 100 CPM

**Duty Cycle:** Continuous

## MECHANICAL CHARACTERISTICS

**Body:** Brass (Std.), Stainless Steel (Opt.)

**Internal Components:** Stainless Steel (Std.)

**Elastomers:** Nitrile (Buna) (Std.). Many other elastomers available.\*

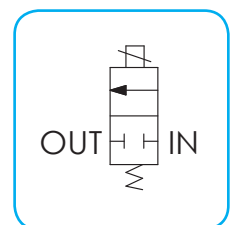
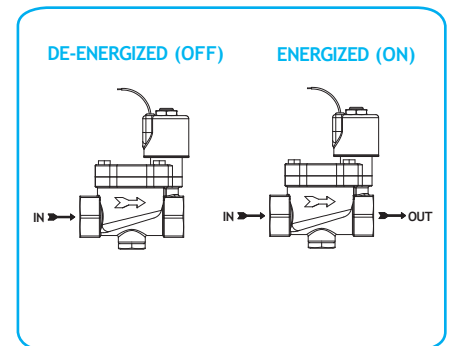
**Housing:** Grommet and 1/2" NPT conduit - many options available.\*

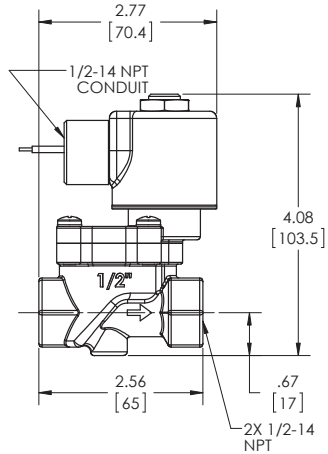
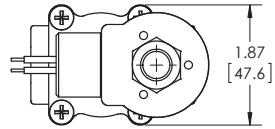
**Life Expectancy:** Millions of cycles, depending on application, lubrication, etc.

**Repair Packs:** See table on proceeding page.

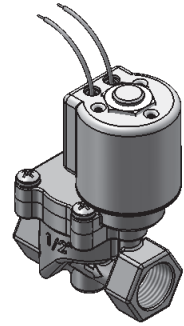
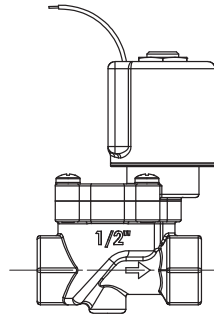
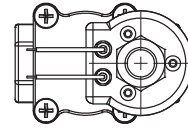
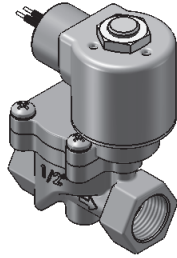
**Options:** Alternate Elastomers, Spade Terminal Coil, European Style DIN, Explosion Proof, Magnetic Latching Coil and Solid-State Timer for use with DIN Coil\*

\* Consult representative or factory for options and specifications.





**SERIES 80 MODEL 828  
2WNC INTERNAL PILOT  
CONDUIT CONNECTION  
1/2" NPT PORTS**



**SERIES 80 MODEL 828  
2WNC INTERNAL PILOT  
GROMMET HOUSING WITH LEADS  
1/2" NPT PORTS**

## VALVE SPECIFICATIONS

MAX. OPER. PRESS. DIFF.		MIN. OPER. PRESS. DIFF.	ORIFICE SIZE N.C.	CV FACTOR N.C.	VALVE NUMBER	
AC	DC				GROMMET HOUSING	CONDUIT HOUSING
200	200	3	1/2	4.0	828B12DGV	828B12DCV
200	200	3	3/4	5.8	828Y19DGV	827Y19DCV
200	200	3	1	13.0	828D13DGV	828D13DCV
200	200	3	1 1/2	29.0	828E14DGV	828E14DCV
200	200	3	2	46.0	828F16DGV	828F16DCV
200	200	3	2 1/2	76.0	828W17DGV	828W17DCV
200	200	3	3	98.0	828W18DGV	828W18DCV

WHEN ORDERING VALVES OR REPAIR PACKS ADD VOLTAGE AND FREQUENCY TO COMPLETE VALVE NUMBER. EXAMPLES: VALVE (828B12DGV 120/60) REPAIR PACK (K828B12DD-AC)