

HAZARDOUS LOCATION HIGH PRESSURE VALVES



Series 20 >> Model EH23

Hazardous Location High Pressure 3-Way Normally Closed Valve

PeterPaul's model EH23 has a dual operator valve that allows the same media control as a three way normally closed valve but at much higher pressure ratings than previously available. To function as a 3-way normally closed valve, operators must be alternately energized and de-energized. Pressure applied to the "IN" port must always be equal to or greater than the pressure in "CYL" port. Air and other non-corrosive gasses, water and oil.

- Precision stainless free floating plunger.
- Kel-F pin sealing element.
- Orifice guides the sealing pin for near perfect alignment.

OPERATING CONDITIONS

Filtration: Down to 60 microns or less is recommended.

Valve Temperature Range: Standard Valves - 0°F (-18°C) to 104°F (40°C) ambient; 0°F (-18°C) to 150°F (65°C) media. Optional Valves - can tolerate much higher or much lower ambient and media temperatures.*

Maximum Operating Pressure Differentials: See table on preceeding page.

Burst Pressure: 10,000 PSI

Leakage: Bubbletight (with polymer sealing pins)

ELECTRICAL CHARACTERISTICS

Coil Voltage: 6 to 825V AC 60 HZ. and 5 to 720V AC 50 HZ.— 1.8 to 265V DC

Nominal Power: AC — 7.3 Watts DC — 9.5 Watts (Per Operator)

Coil Construction: Molded Class F with third wire ground (Std.), Class H or Potted (Opt.)

Typical Response Time on Air: 4 - 16 Milliseconds

Operating Speed: Up to 600 CPM with gas media

Duty Cycle: Continuous

MECHANICAL CHARACTERISTICS

Body: 300 Series Stainless Steel

Internal Components: Stainless Steel

Elastomers: Nitrile (Buna) (Std.). Many other elastomers available.*

Sealing Pin: Kel-F (Std.), Delrin®, Teflon®, Nylon, PEEK, Radel®, Ultem®, 303 Stainless Steel (Opt.)

Orifice Diameter: See table on preceeding page.

Porting: 1/4" NPT

Housing: Flame-Proof Construction with 1/2" NPT conduit

Mounting: Must be mounted within 30° of vertical.

Listings: Valves are UL listed and certified for Hazard Locations — Class I, Div 1, Group C and D - Class II, Div 1, Group E, F, and G; Div 2, Groups C, D, E, F, and G.

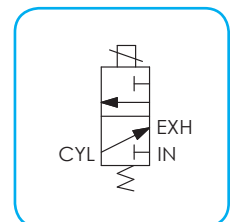
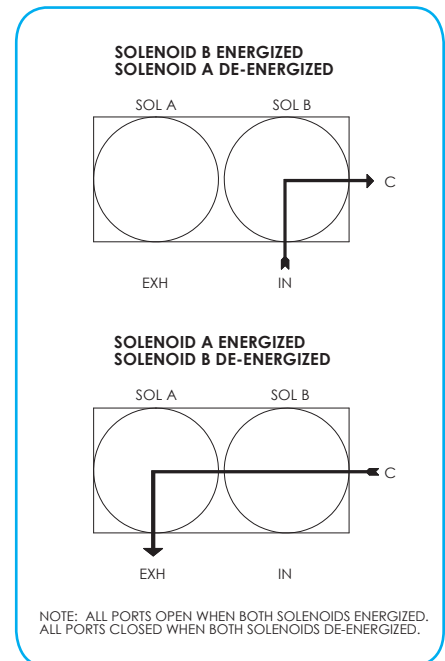
Life Expectancy: Millions of cycles, depending on application, lubrication, etc.

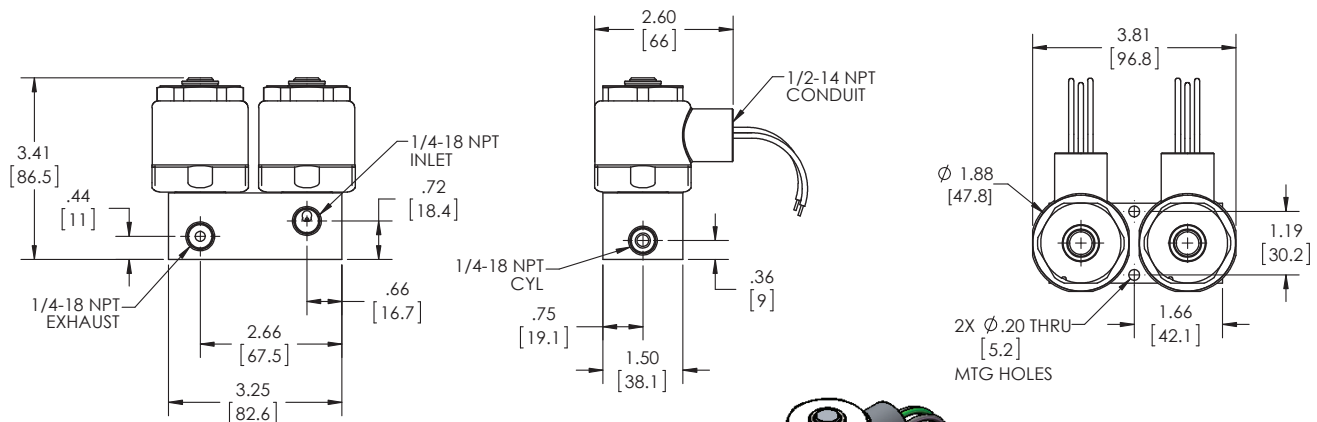
Valve Weight: 3.63 lbs

Repair Kits: See table on preceeding page.

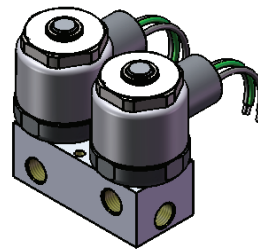
Options: Alternate Sealing Pin Materials and Alternate Elastomers*

* Consult representative or factory for options and specifications.





**SERIES 20 MODEL EH23
3WNC
EXPLOSION PROOF/HIGH PRESSURE**



VALVE SPECIFICATIONS

GAS PRESSURE RATINGS		ORIFICE SIZE	CV FACTOR	VALVE NUMBER 1/4 NPT PORTS
AC	DC			
3000	3000	1/32	.022	EH23GG19DCCM
2500	1500	3/64	.041	EH23HH19DCCMG
1750	500	1/16	.065	EH23JJ19DCCMG
650	100	3/32	.100	EH23KK19DCCMG

LIQUID PRESSURE RATINGS		ORIFICE SIZE	CV FACTOR	VALVE NUMBER 1/4 NPT PORTS
AC	DC			
3000	3000	1/32	.022	EH23GG19DCCML
1500	1500	3/64	.041	EH23HH19DCCML
1000	500	1/16	.065	EH23JJ19DCCML
300	100	3/32	.100	EH23KK19DCCML

WHEN ORDERING VALVES OR REPAIR PACKS ADD VOLTAGE AND FREQUENCY TO COMPLETE VALVE NUMBER. EXAMPLES: VALVE (EH23JJ19DCCML-120/60) REPAIR KIT (2KEH23JJ-AC)