

HAZARDOUS LOCATION VALVES



Series 20 >> Model E24

Hazardous Location – 3-Way Normally Open Valve

Peter Paul explosion proof valves are used where fire or explosion hazards exist due to the presence of flammable gases or vapors, flammable liquids, combustible dust, or easily ignitable fibers. Hazardous Location valves are recommended, or in some cases compulsory, where a high level of protection from explosion is required.

- Heavy duty and made of stainless steel.
- A real workhorse with proven performance.
- It has the greatest amount of options available of all the valves.
- Wide range of orifice sizes from 1/32" to 1/8".

OPERATING CONDITIONS

Media: Air, water, and other fluids compatible with standard Buna seals. Hot water, steam gasoline, and many oils require special seal materials. (Series 20 pressure ratings may change due to the viscosity of the liquid.)*

Valve Temperature Range: Standard Valves - 0°F (-18°C) to 104°F (40°C) ambient; 0°F (-18°C) to 150°F (65°C) media. Optional Valves - can tolerate much higher or much lower ambient and media temperatures.*

Maximum Operating Pressure Differentials: See table on proceeding page.

Burst Pressure: 5000 PSI

Leakage: Bubble tight for standard valves.

Vacuum: To 5 Microns*

ELECTRICAL CHARACTERISTICS

Coil Voltage: 6 to 825V AC 60 HZ. and 5 to 720V AC 50 HZ. – 1.8 to 265V DC

Nominal Power: AC – 7.3 Watts DC – 9.5 Watts

Coil Construction: Molded Class F with third wire ground (Std.), Class H or Potted (Opt.)

Typical Response Time on Air: 4 - 16 Milliseconds

Operating Speed: Up to 600 CPM

Duty Cycle: Continuous

MECHANICAL CHARACTERISTICS

Body: Stainless Steel (Std.)

Internal Components: Stainless Steel

Elastomers: Nitrile (Buna) (Std.). Many other elastomers available.*

Orifice Diameter: See table on proceeding page.

Porting: 1/8" and 1/4" NPT (others ports available).

Housing: Flame-Proof construction with 1/2" NPT conduit

Listings: Valves are UL listed and certified for Hazard Locations – Class I, Div 1, Group C and D - Class II, Div 1, Group E, F, and G; Div 2, Groups C, D, E, F, and G.

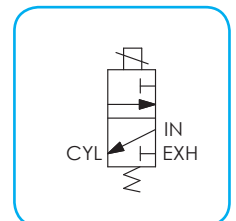
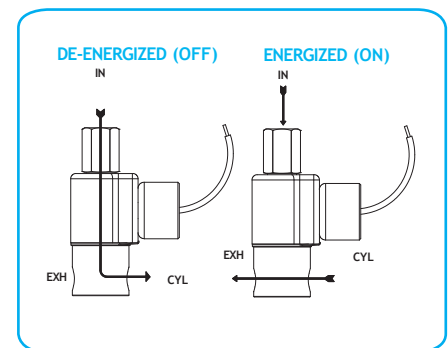
Life Expectancy: Millions of cycles, depending on application, lubrication, etc.

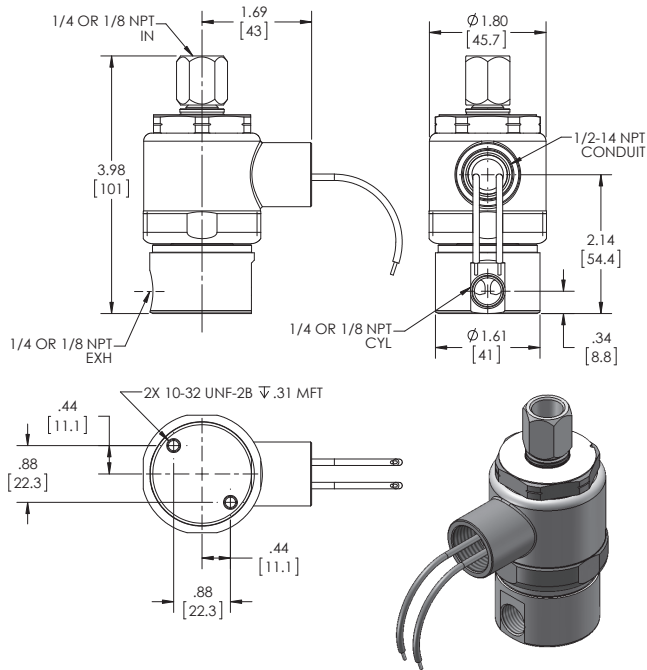
Valve Weight: 1.50 lbs

Repair Kits: See table on proceeding page.

Options: Alternate Port Locations, Metering, Manual Override, Alternate Elastomers*

* Consult representative or factory for options and specifications.





**SERIES 20 MODEL E24
3-WAY NORMALLY OPEN
EXPLOSION PROOF**

VALVE SPECIFICATIONS

+ MAX. OPER. PRESS. DIFF.		ORIFICE SIZE		CV FACTOR		VALVE NUMBER	
AC	DC	N.O.	N.C.	N.O.	N.C.	1/8 NPT PORTS	1/4 NPT PORTS
400	400	1/32	1/32	.024	.024	E24GG7XCCM	E24GG9ZCCM
150 (225)	150	3/64	1/16	.052	.095	E24HJ7XCCM	E24HJ9ZCCM
100 (150)	100	1/16	1/16	.095	.095	E24JJ7XCCM	E24JJ9ZCCM
100 (125)	100	1/16	1/8	.095	.284	E24JN7XCCM	E24JN9ZCCM
75 (90)	75	3/32	1/8	.156	.284	E24KN7XCCM	E24KN9ZCCM
30	30	1/8	1/8	.227	.284	E24NN7XCCM ^	E24NN9ZCCM ^

^ VALVES WITH 1/8 ORIFICE ARE NOT UL OR CSA LISTED

WHEN ORDERING VALVES OR REPAIR KITS ADD VOLTAGE AND FREQUENCY TO COMPLETE VALVE NUMBER. EXAMPLES: VALVE (E24K9ZCCM-120/60) REPAIR KIT (2KE24K-AC)

+ Ratings in brackets are optional extended ratings; consult factory.