

MAGNET LATCHING VALVES



Series 20 >> Model 22

2-Way Normally Closed Magnet Latching Valve

This type of valve is often used in remote areas where continuous power may not be available or with battery-powered portable equipment where power capacity is limited. It is also valuable in equipment where coil heating, due to continuous application of power, is undesirable. Air and other fluids compatible with standard Buna seals. Hot water, steam, gasoline, oils, some hydraulic fluids, and many other media require special seal materials.

- Meets today's demand for economy of space.
- Uses power only during latching and un-latching.
- Great for medical and chemical analyzers.

OPERATING CONDITIONS

Media: Air, water, and other fluids compatible with standard Buna seals. Hot water, steam, gasoline, and many oils require special seal materials. (Series 20 pressure ratings may change due to the viscosity of the liquid.)*

Valve Temperature Range: Standard Valves - 0°F (-18°C) to 104°F (40°C) ambient; 0°F (-18°C) to 150°F (65°C) media. Optional Valves - can tolerate much higher or much lower ambient and media temperatures.

Maximum Operating Pressure Differentials: See table on proceeding page.

Burst Pressure: 5000 PSI

Leakage: Bubble tight for standard valves.

Vacuum: To 5 Microns*

ELECTRICAL CHARACTERISTICS

Coil Voltage: 6 to 60V DC

Nominal Power: DC – 10.0 Watts

Coil Construction: Molded Class B with DIN 43650 Form A Connector (Std.), Leadwires (Opt.) For your convenience we have the female DIN style mating connector No. 20-198** available for an additional fee.*

Typical Response Time on Air: Approximate 30 millisecond pulse to energize and de-energize.

Operating Speed: Up to 600 CPM

MECHANICAL CHARACTERISTICS

Body: Stainless Steel (Std.) or Brass (Opt.)

Internal Components: Stainless Steel

Elastomers: Nitrile (Buna) (Std.). Many other elastomers available.*

Orifice Diameter: See table on proceeding page.

Porting: Standard 1/8" and 1/4" NPT (other ports available).*

Housing: Leadwires and DIN Style Connector.

Listings: Most valves are UL and CSA listed.*

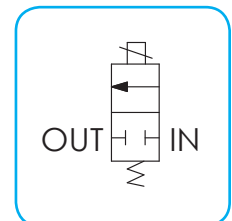
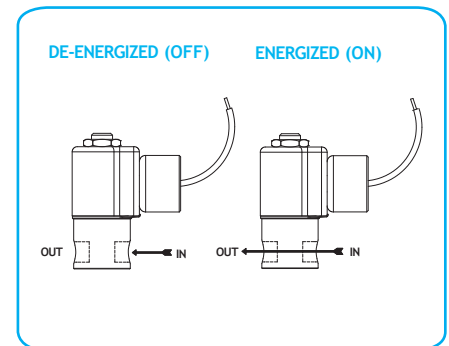
Life Expectancy: Millions of cycles, depending on application, lubrication, etc.

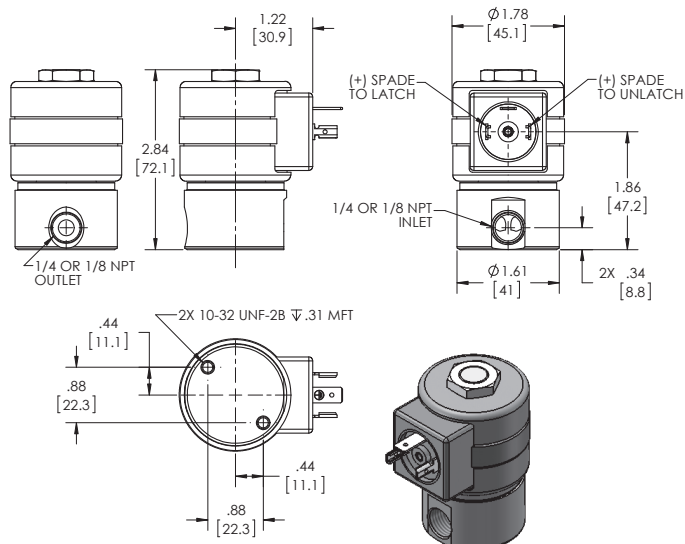
Valve Weight: 1.2 lb average

Repair Packs: See table on proceeding page.

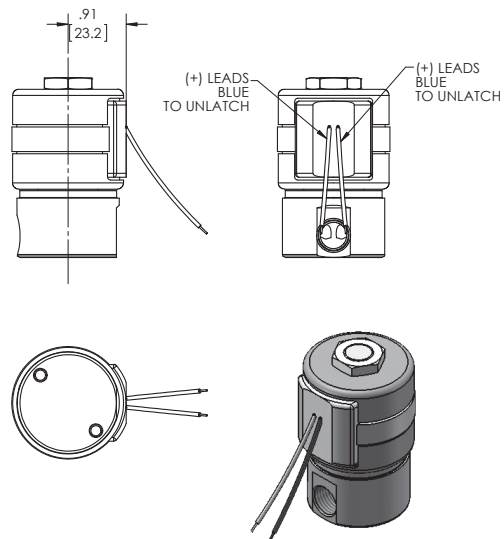
Options: Alternate Port Locations, Metering and Alternate Elastomers.*

* Consult representative or factory for options and specifications.





**SERIES 20 MODEL 22
2WNC
MAGNETIC LATCHING DIN COIL**



**SERIES 20 MODEL 22
2WNC
MAGNETIC LATCHING COIL WITH LEADS**

VALVE SPECIFICATIONS

MAX. OPER. PRESS. DIFF.	ORIFICE SIZE	CV FACTOR	VALVE NUMBER			
			DIN COIL	GROMMET HOUSING		
DC	N.C.	N.C.	1/8 NPT PORTS	1/4 NPT PORTS	1/8 NPT PORTS	1/4 NPT PORTS
500	1/32	.024	22G7DELM	22G9DELM	22G7DGLM	22G9DGLM
235	3/64	.052	22H7DELM	22H9DELM	22H7DGLM	22H9DGLM
200	1/16	.095	22J7DELM	22J9DELM	22J7DGLM	22J9DGLM
125	3/32	.156	22K7DELM	22K9DELM	22K7DGLM	22K9DGLM
100	1/8	.214	22N7DELM	22N9DELM	22N7DGLM	22N9DGLM
50	5/32	.404	22O7DELM	22O9DELM	22O7DGLM	22O9DGLM
25	3/16	.500	22P7DELM	22P9DELM	22P7DGLM	22P9DGLM
5	1/4	.700	22R7DELM	22R9DELM	22R7DGLM	22R9DGLM

WHEN ORDERING VALVES OR REPAIR PACKS ADD VOLTAGE AND FREQUENCY TO COMPLETE VALVE NUMBER. EXAMPLES: VALVE (22J7DELM-12/DC) REPAIR PACK (K22NDL-DC).