

# MAGNET LATCHING VALVES



## Series 20 >> Model 25

### 3-Way Directional Control Magnet Latching Valve

This type of valve is often used in remote areas where continuous power may not be available or with battery-powered portable equipment where power capacity is limited. It is also valuable in equipment where coil heating, due to continuous application of power, is undesirable. Air and other fluids compatible with standard Buna seals. Hot water, steam, gasoline, oils, some hydraulic fluids, and many other media require special seal materials.

- Meets today's demand for economy of space.
- Uses power only during latching and un-latching.
- Great for medical and chemical analyzers.

## OPERATING CONDITIONS

**Media:** Air, water, and other fluids compatible with standard Buna seals. Hot water, steam, gasoline, and many oils require special seal materials. (Series 20 pressure ratings may change due to the viscosity of the liquid.)\*

**Valve Temperature Range:** Standard Valves - 0°F (-18°C) to 104°F (40°C) ambient; 0°F (-18°C) to 150°F (65°C) media. Optional Valves - can tolerate much higher or much lower ambient and media temperatures.

**Maximum Operating Pressure Differentials:** See table on proceeding page.

**Burst Pressure:** 5000 PSI

**Leakage:** Bubble tight for standard valves.

**Vacuum:** To 5 Microns\*

## ELECTRICAL CHARACTERISTICS

**Coil Voltage:** 6 to 60V DC

**Nominal Power:** DC – 10.0 Watts

**Coil Construction:** Molded Class B with DIN 43650 Form A Connector (Std.), Leadwires (Opt.) For your convenience we have the female DIN style mating connector No. 20-198\*\* available for an additional fee.\*

**Typical Response Time on Air:** Approximate 30 millisecond pulse to energize and de-energize.

**Operating Speed:** Up to 600 CPM

## MECHANICAL CHARACTERISTICS

**Body:** Stainless Steel (Std.) or Brass (Opt.)

**Internal Components:** Stainless Steel

**Elastomers:** Nitrile (Buna) (Std.). Many other elastomers available.\*

**Orifice Diameter:** See table on proceeding page.

**Porting:** Standard 1/8" and 1/4" NPT (other ports available).\*

**Housing:** Leadwires and DIN Style Connector.

**Listings:** Most valves are UL and CSA listed.\*

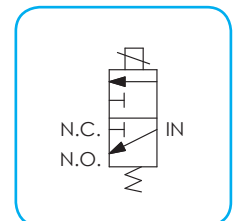
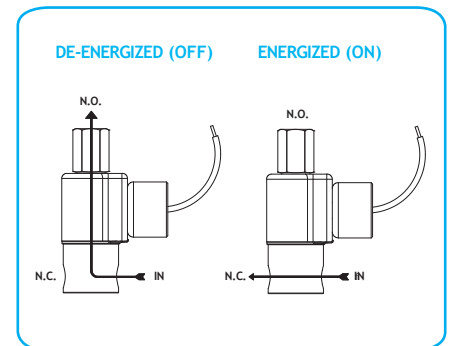
**Life Expectancy:** Millions of cycles, depending on application, lubrication, etc.

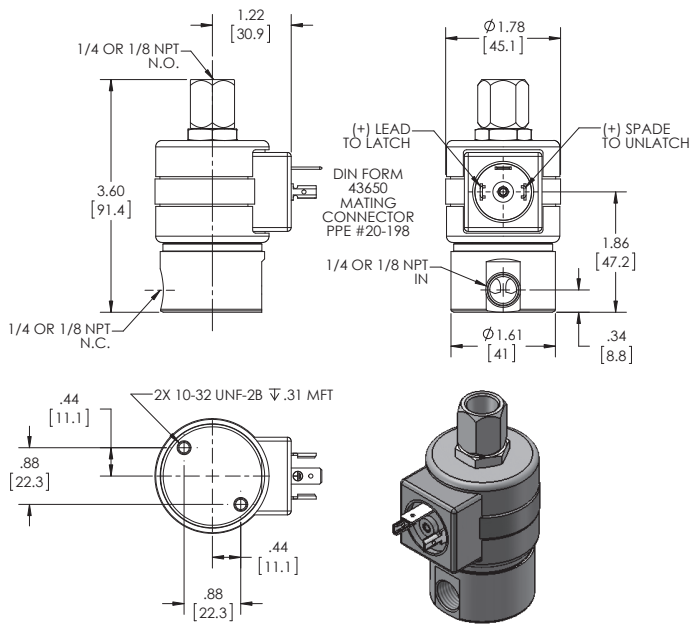
**Valve Weight:** 1.2 lb average

**Repair Packs:** See table on proceeding page.

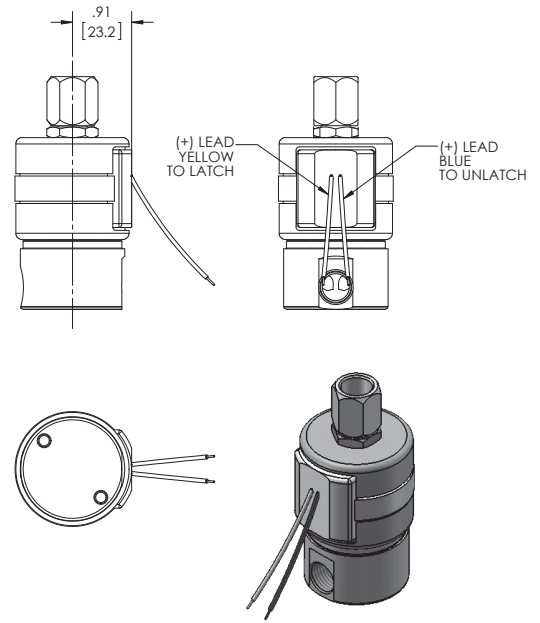
**Options:** Alternate Port Locations, Metering and Alternate Elastomers.\*

\* Consult representative or factory for options and specifications.





**SERIES 20 MODEL 25  
3-WAY DIRECTIONAL CONTROL  
MAGNETIC LATCHING DIN COIL**



**SERIES 20 MODEL 25  
3-WAY DIRECTIONAL CONTROL  
MAGNETIC LATCHING COIL WITH LEADS**

## VALVE SPECIFICATIONS

MAX. OPER. PRESS. DIFF.	ORIFICE SIZE		CV FACTOR		DIN COIL		VALVE NUMBER		GROMMET HOUSING	
	DC	N.C.	N.O.	N.C.	N.O.	1/8 NPT PORTS	1/4 NPT PORTS	1/8 NPT PORTS	1/4 NPT PORTS	
500	1/32	1/32	.024	.024	25GG7XELM	25GG9ZELM	25GG7XGLM	25GG9ZGLM		
235	3/64	3/64	.052	.052	25HH7XELM	25HH9ZELM	25HH7XGLM	25HH9ZGLM		
200	1/16	3/64	.095	.052	25JH7XELM	25JH9ZELM	25JH7XGLM	25JH9ZGLM		
150	1/16	1/16	.095	.095	25JJ7XELM	25JJ9ZELM	25JJ7XGLM	25JJ9ZGLM		
100	3/32	3/32	.156	.156	25KK7XELM	25KK9ZELM	25KK7XGLM	25KK9ZGLM		
100	1/8	3/32	.214	.156	25NK7XELM	25NK9ZELM	25NK7XGLM	25NK9ZGLM		

WHEN ORDERING VALVES OR REPAIR PACKS ADD VOLTAGE AND FREQUENCY TO COMPLETE VALVE NUMBER. EXAMPLES: VALVE (25JJ7XELM-12/DC) REPAIR PACK (K25JJXL-DC).