

# LOW LOW WATT VALVES



## Series 50 LLW >> Model LLW53

**Low, Low Wattage – 3-Way Normally Closed (exhaust to atmosphere)**

General purpose valve for pneumatic applications. The versatility of these valves is increased to include the handling of hot air, refrigerants and many other media, by the use of different seals. Air and other gases compatible with standard Buna seals.

- General purpose valve with reduced power consumption.
- Increased versatility.
- For pneumatic application.
- Increased to handle hot air, refrigerants and other gases.

## OPERATING CONDITIONS

**Media:** Air and other gases compatible with standard Buna seals.

**Valve Temperature Range:** Standard Valves - 0°F (-18°C) to 140°F (60°C) ambient; 0°F (-18°C) to 150°F (65°C) media. Optional Valves - can tolerate much higher or much lower ambient and media temperatures.\*

**Maximum Operating Pressure Differentials:** See table on proceeding page.

**Burst Pressure:** 5000 PSI

**Leakage:** Bubble tight for standard valves.

**Vacuum:** To 5 Microns\*

## ELECTRICAL CHARACTERISTICS

**Coil Voltage:** 6.0 to 120V DC

**Nominal Power:** DC – .65 Watts

**Coil Construction:** Molded and potted Class F. (Class H optional)

**Typical Response Time on Air:** 4 - 16 Milliseconds

**Operating Speed:** Up to 600 CPM

**Duty Cycle:** Continuous

## MECHANICAL CHARACTERISTICS

**Body:** Stainless Steel (Std.), Brass (Opt.) or Aluminum (Opt.)

**Internal Components:** Stainless Steel

**Elastomers:** Nitrile (Buna) (Std.). Many other elastomers available.\*

**Orifice Diameter:** See table on proceeding page.

**Porting:** 1/8" NPT (Std.)

**Housing:** Grommet and 1/2" NPT conduit - many options available.\*

**Listings:** Most valves are UL and CSA listed – consult factory.

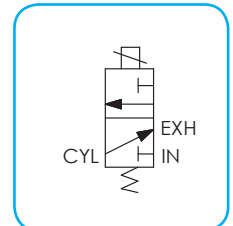
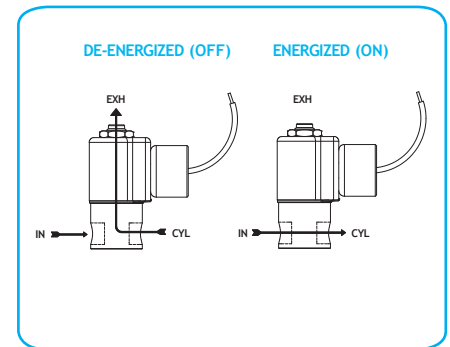
**Life Expectancy:** Millions of cycles, depending on application, lubrication, etc.

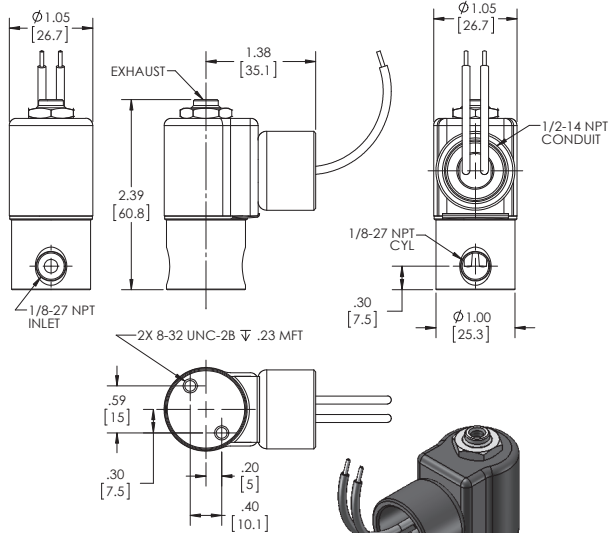
**Valve Weight:** Grommet Valve: 0.38 lbs, Conduit Valve: 0.44 lbs

**Repair Packs:** See table on proceeding page.

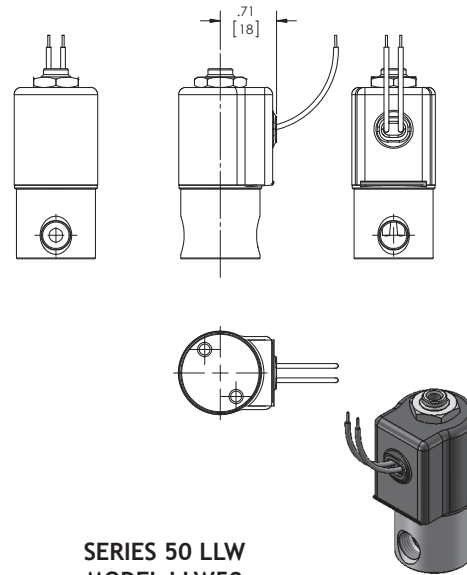
**Options:** Alternate Port Locations, Metering and Alternate Elastomers\*

\* Consult representative or factory for options and specifications.





**SERIES 50 LLW  
MODEL LLW52  
3WNC EXHAUST TO ATMOSPHERE  
CONDUIT CONNECTION**



**SERIES 50 LLW  
MODEL LLW52  
3WNC EXHAUST TO ATMOSPHERE  
GROMMET HOUSING WITH LEADS**

## VALVE SPECIFICATIONS

MAX. OPER.  
PRESS. DIFF.

GAS	ORIFICE SIZE		CV FACTOR		VALVE NUMBER	
	N.C.	N.O.	N.C.	N.O.	GROMMET 1/8" NPT	CONDUIT 1/8" NPT
120	1/32	1/32	.022	.022	LLW53GG8DGM	LLW53GG8DCM

WHEN ORDERING VALVES OR REPAIR PACKS ADD VOLTAGE AND FREQUENCY TO COMPLETE VALVE NUMBER. EXAMPLES: VALVE (LLW53GG8DGM-12/DC) REPAIR PACK (KLLW53GGD-DC)