

MAGNET LATCHING VALVES



Series 80 >> Model 827

Large Orifice, Direct Lift –2-Way Normally Closed Magnet Latching Valve –

Peter Paul offers a line of large orifice solenoid valves to address process industry requirements for high flow rate or quick dump and fill capacity. These DC powered valves are also suited for low pressure gas and liquid applications. Port sizes for direct lift, two way normally closed versions range from 3/8" to 3/4" NPT, with pressure ratings from 0 to 40 PSI.

- Large orifice sizes for high flow applications.
- Body is made of brass forgings or 316 stainless steel.
- Operates at low pressure without any differential pressure across the diaphragm – Direct Lift.
- NPT threaded connections.
- Direct Lift model is available in normally closed only.

OPERATING CONDITIONS

Media: Air, water, and other fluids compatible with Buna seals. Hot water, steam, gasoline and many oils require special seal materials. Consult representative or factory. (Series 80 pressure ratings may change due to the viscosity of the liquid.)*

Valve Temperature Range: Standard Valves - 0°F (-18°C) to 104°F (40°C) ambient; 0°F (-18°C) to 150°F (65°C) media. Optional Valves - can tolerate much higher or much lower ambient and media temperatures.*

Maximum Operating Pressure Differentials: See table on proceeding page.

Leakage: Bubble tight

ELECTRICAL CHARACTERISTICS

Coil Voltage: 3.6 to 28V DC

Nominal Power: DC – 10.0 Watts

Coil Construction: Molded

Operating Speed: Up to 100 CPM

MECHANICAL CHARACTERISTICS

Body: Brass (Std.), 316 Stainless Steel (Opt.)

Internal Components: Stainless Steel (Std.)

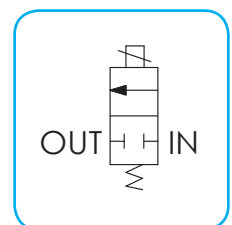
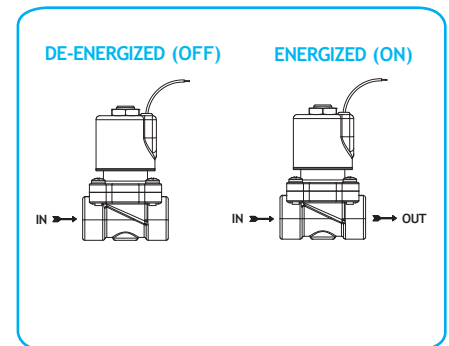
Elastomers: Nitrile (Buna) (Std.). Many other elastomers available.*

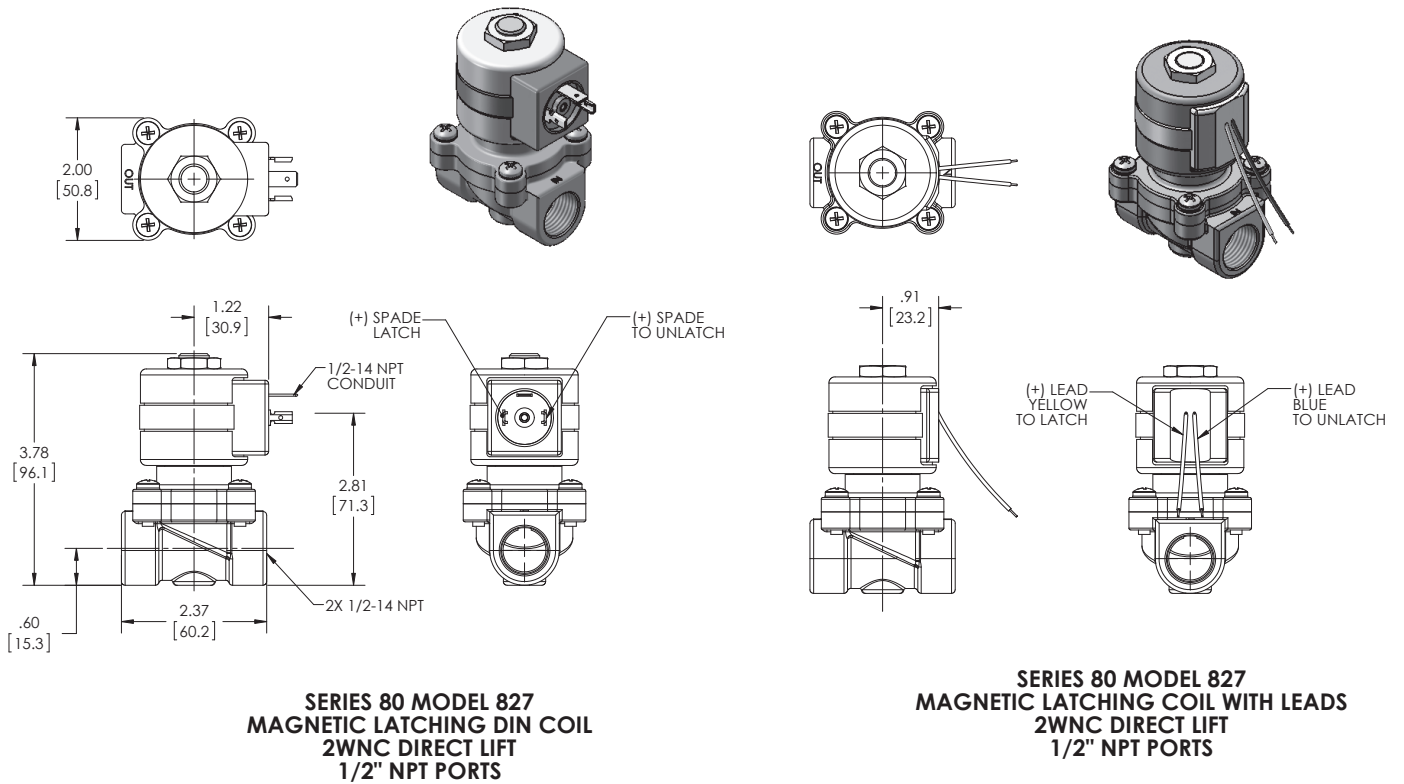
Housing: Lead wires and DIN style connector.

Life Expectancy: Millions of cycles, depending on application, lubrication, etc.

Repair Packs: See table on proceeding page.

Options: Alternate Elastomers





VALVE SPECIFICATIONS

MAX. OPER. PRESS. DIFF. DC	MIN. OPER. PRESS. DIFF.	ORIFICE SIZE N.C.	CV FACTOR N.C.	PIPE SIZE	VALVE NUMBER GROMMET HOUSING	DIN COIL
40	0	1/2	4.0	3/8" NPT	827T20DGLM	827T20DELM
40	0	1/2	4.0	1/2" NPT	827B12DGLM	827B12DELM
40	0	3/4	5.0	3/4" NPT	827Y19DGLM	827Y19DELM

WHEN ORDERING VALVES OR REPAIR PACKS ADD VOLTAGE AND FREQUENCY TO COMPLETE VALVE NUMBER. EXAMPLES: VALVE (827B12DELM 12/DC) REPAIR PACK (K827BDL-DC)