



Series 80 >> Model 829B

Very Large Orifice, Linked-Piloted – 2-Way Normally Closed Valve

Super valves that have ratings that formerly required valves of much greater size. They are higher flow at low pressures and have quick media fill or dump for air and inert gases.

- Large orifice.
- High flow at high and low pressures.

OPERATING CONDITIONS

Media: Air and inert gases.

Valve Temperature Range: Standard Valves - 0°F (-18°C) to 104°F (40°C) ambient; 0°F (-18°C) to 150°F (65°C) media. Optional Valves - can tolerate much higher or much lower ambient and media temperatures.*

Maximum Operating Pressure Differentials: See table on proceeding page.

Burst Pressure: 1000 PSI

Leakage: Bubble tight for standard valves.

Vacuum: To 5 Microns*

ELECTRICAL CHARACTERISTICS

Coil Voltage: 12 to 1150V AC 60 HZ. and 11 to 1035V AC 50 HZ. – 2.5 to 220V DC

Nominal Power: AC – 18.0 Watts DC – 16.0 Watts

Coil Construction: Molded and Potted Class F, Class H (Opt.)

Operating Speed: Up to 100 CPM

Duty Cycle: Continuous

MECHANICAL CHARACTERISTICS

Body: Aluminum anodized, corrosion resistant

Internal Components: Stainless Steel and Anodized Aluminum

Elastomers: Buna (Std.). Many other elastomers available.*

Orifice Diameter: See table on proceeding page.

Porting: 1/2" NPT

Housing: Grommet and 1/2" NPT conduit - many options available.*

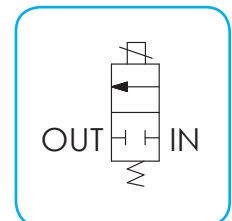
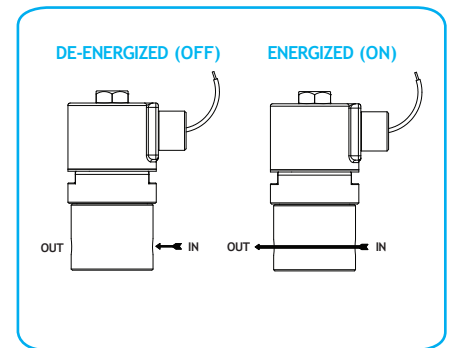
Life Expectancy: Millions of cycles, depending on application, lubrication, etc.

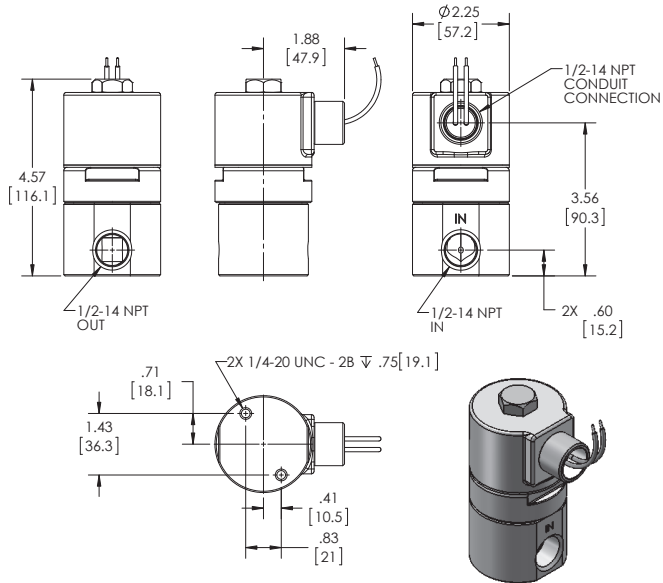
Valve Weight: 2.20 lbs

Repair Packs: See table on proceeding page.

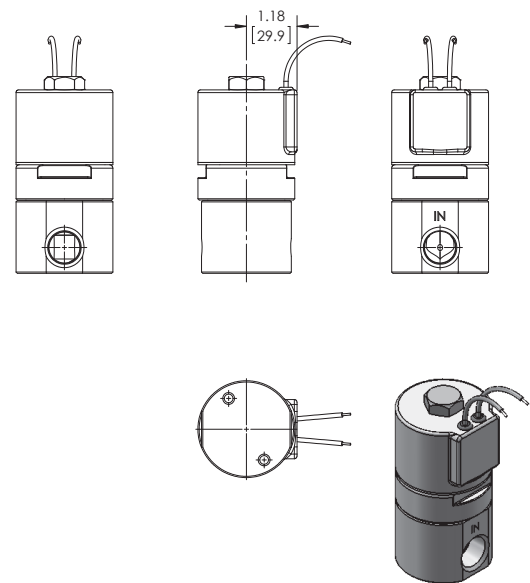
Options: Alternate Elastomers, valves for oil and water available.*

* Consult representative or factory for options and specifications.





**SERIES 80
MODEL 829B 1/2-14 NPT
2WNC
CONDUIT CONNECTION**



**SERIES 80
MODEL 829B 1/2-14 NPT
2WNC
GROMMET HOUSING WITH LEADS**

VALVE SPECIFICATIONS

| MAX. OPER. PRESS. DIFF. | | ORIFICE SIZE | CV FACTOR | VALVE NUMBER | CONDUIT HOUSING |
|-------------------------|-----|--------------|-----------|-----------------|-----------------|
| AC | DC | N.C. | N.C. | GROMMET HOUSING | 1/2" NPT PORTS |
| 150 | 150 | 1/2 | 3.50 | 829B11DGM | 829B11DCM |

WHEN ORDERING VALVES OR REPAIR PACKS ADD VOLTAGE AND FREQUENCY TO COMPLETE VALVE NUMBER. EXAMPLES: VALVE (829B11DGM-120/60) REPAIR PACK (K829BD-AC)