

HAZARDOUS LOCATION VALVES



Series 80 >> Model E827

Large Orifice, Direct lift – 2-Way Normally Closed Valve

Peter Paul offers a line of large orifice solenoid valves to address process industry requirements for high flow rate or quick dump and fill capacity. These AC or DC powered valves are also suited for low pressure gas and liquid applications. Port sizes for direct lift, two way normally closed versions range from 3/8" to 3/4" NPT, with pressure ratings from 0 to 100 PSI.

- Large orifice sizes for high flow applications.
- Body is made of brass forgings or 316 stainless steel.
- Operates at low pressure without any differential pressure across the diaphragm – Direct Lift.
- NPT threaded connections.
- Direct Lift model is available in normally closed only.

OPERATING CONDITIONS

Media: Air, water, and other fluids compatible with Buna seals. Hot water, steam, gasoline and many oils require special seal materials. Consult representative or factory. (Series 80 pressure ratings may change due to the viscosity of the liquid.)*

Valve Temperature Range: Standard Valves - 0°F (-18°C) to 104°F (40°C) ambient; 0°F (-18°C) to 150°F (65°C) media. Optional Valves - can tolerate much higher or much lower ambient and media temperatures.*

Maximum Operating Pressure Differentials: See table on proceeding page.

Leakage: Bubbletight

ELECTRICAL CHARACTERISTICS

Coil Voltage: 6 to 825V AC 60 HZ. and 5 to 720V AC 50 HZ. – 1.8 to 265V DC

Nominal Power: AC – 7.3 Watts DC – 9.5 Watts

Coil Construction: Molded (Std.) and Potted Class F or Class H (Opt.)

Typical Response Time on Air: 4 - 16 Milliseconds

Operating Speed: Up to 100 CPM

Duty Cycle: Continuous

MECHANICAL CHARACTERISTICS

Body: Brass (Std.), 316 Stainless Steel (Opt.)

Internal Components: Stainless Steel (Std.)

Elastomers: Nitrile (Buna) (Std.). Many other elastomers available.*

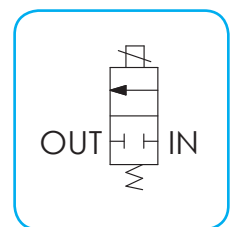
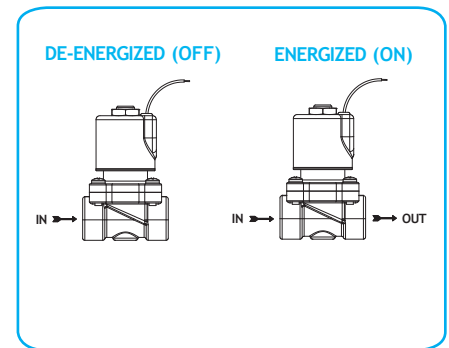
Housing: 1/2" NPT conduit

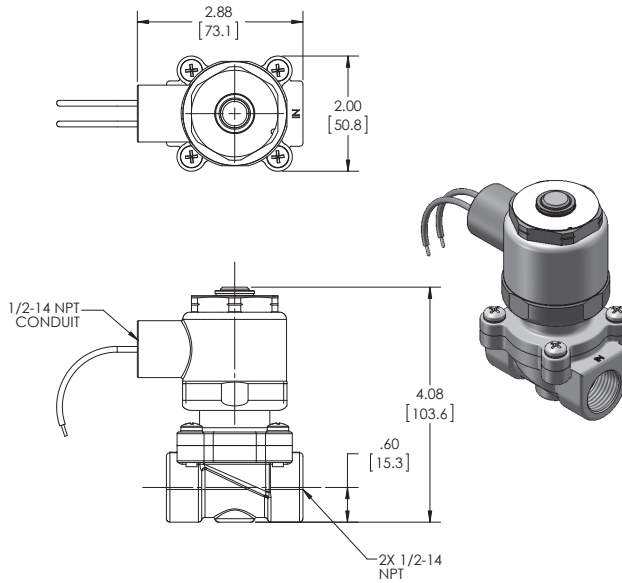
Life Expectancy: Millions of cycles, depending on application, lubrication, etc.

Repair Kits: See table on proceeding page.

Options: Alternate Elastomers.

* Consult representative or factory for options and specifications.





**SERIES 80 MODEL E827
1/2" NPT PORTS
2WNC
EXPLSION PROOF**

VALVE SPECIFICATIONS

MAX. OPER. PRESS. DIFF.		MIN. OPER. PRESS. DIFF.	ORIFICE SIZE	CV FACTOR	PIPE SIZE	VALVE NUMBER
AC	DC		N.C.	N.C.		
100	40	0	1/2	4.0	3/8 NPT	E827T20DCCM
100	40	0	1/2	4.0	1/2 NPT	E827B12DCCM
100	30	0	3/4	5.0	3/4 NPT	E827Y19DCCM

WHEN ORDERING VALVES OR REPAIR KITS ADD VOLTAGE AND FREQUENCY TO COMPLETE VALVE NUMBER. EXAMPLES: VALVE (E827B12DCCM 120/6) REPAIR KIT (2KE827B12-AC)