

# MAGNET LATCHING VALVES



## Series 20 >> Model 23

### 3-Way Normally Closed Magnet Latching Valve – Exhaust to Atmosphere

This type of valve is often used in remote areas where continuous power may not be available or with battery-powered portable equipment where power capacity is limited. It is also valuable in equipment where coil heating, due to continuous application of power, is undesirable. Air and other fluids compatible with standard Buna seals. Hot water, steam, gasoline, oils, some hydraulic fluids, and many other media require special seal materials.

- Meets today's demand for economy of space.
- Uses power only during latching and un-latching.
- Great for medical and chemical analyzers.

## OPERATING CONDITIONS

**Media:** Air, water, and other fluids compatible with standard Buna seals. Hot water, steam, gasoline, and many oils require special seal materials. (Series 20 pressure ratings may change due to the viscosity of the liquid.)\*

**Valve Temperature Range:** Standard Valves - 0°F (-18°C) to 104°F (40°C) ambient; 0°F (-18°C) to 150°F (65°C) media. Optional Valves - can tolerate much higher or much lower ambient and media temperatures.

**Maximum Operating Pressure Differentials:** See table on proceeding page.

**Burst Pressure:** 5000 PSI

**Leakage:** Bubble tight for standard valves.

**Vacuum:** To 5 Microns\*

## ELECTRICAL CHARACTERISTICS

**Coil Voltage:** 6 to 60V DC

**Nominal Power:** DC – 10.0 Watts

**Coil Construction:** Molded Class B with DIN 43650 Form A Connector (Std.), Leadwires (Opt.) For your convenience we have the female DIN style mating connector No. 20-198\*\* available for an additional fee.\*

**Typical Response Time on Air:** Approximate 30 millisecond pulse to energize and de-energize.

**Operating Speed:** Up to 600 CPM

## MECHANICAL CHARACTERISTICS

**Body:** Stainless Steel (Std.) or Brass (Opt.)

**Internal Components:** Stainless Steel

**Elastomers:** Nitrile (Buna) (Std.). Many other elastomers available.\*

**Orifice Diameter:** See table on proceeding page.

**Porting:** Standard 1/8" and 1/4" NPT (other ports available).\*

**Housing:** Leadwires and DIN Style Connector.

**Listings:** Most valves are UL and CSA listed.\*

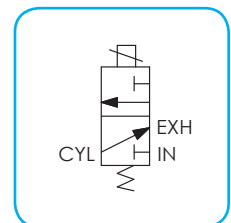
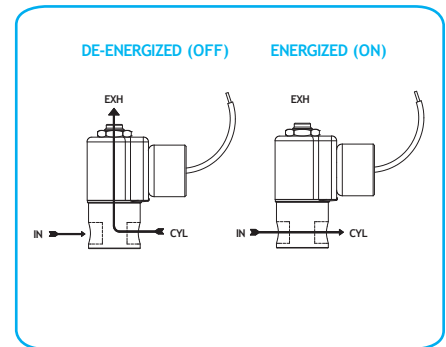
**Life Expectancy:** Millions of cycles, depending on application, lubrication, etc.

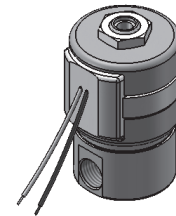
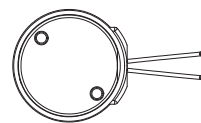
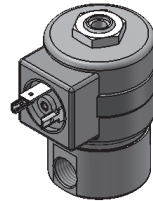
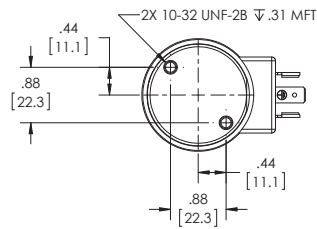
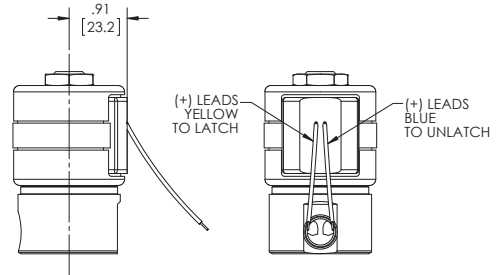
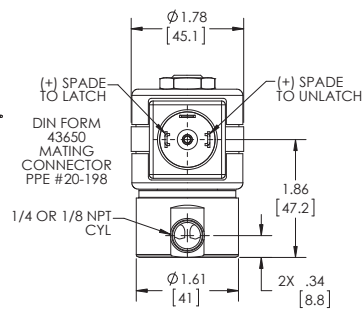
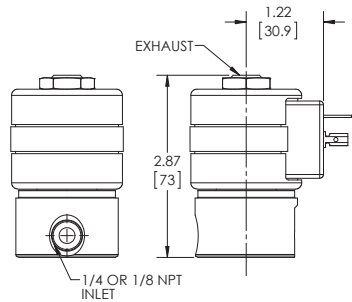
**Valve Weight:** 1.2 lb average

**Repair Packs:** See table on proceeding page.

**Options:** Alternate Port Locations, Metering and Alternate Elastomers.\*

\* Consult representative or factory for options and specifications.





**SERIES 20 MODEL 23  
3WNC EXHAUST TO ATMOSPHERE  
MAGNETIC LATCHING DIN COIL**

**SERIES 20 MODEL 23  
3WNC EXHAUST TO ATMOSPHERE  
MAGNETIC LATCHING COIL WITH LEADS**

## VALVE SPECIFICATIONS

MAX. OPER. PRESS. DIFF.	ORIFICE SIZE		CV FACTOR		DIN COIL		VALVE NUMBER		GROMMET HOUSING	
	DC	N.C.	N.O.	N.C.	N.O.	1/8 NPT PORTS	1/4 NPT PORTS	1/8 NPT PORTS	1/4 NPT PORTS	
400	1/32	1/32	.024	.024	23GG7DELM	23GG9DELM	23GG7DGLM	23GG9DGLM		
150	3/64	1/16	.052	.095	23HJ7DELM	23HJ9DELM	23HJ7DGLM	23HJ9DGLM		
100	1/16	1/16	.095	.095	23JJ7DELM	23JJ9DELM	23JJ7DGLM	23JJ9DGLM		
100	1/16	3/32	.095	.156	23JK7DELM	23JK9DELM	23JK7DGLM	23JK9DGLM		
75	3/32	3/32	.156	.156	23KK7DELM	23KK9DELM	23KK7DGLM	23KK9DGLM		
50	1/8	3/32	.214	.156	23NK7DELM	23NK9DELM	23NK7DGLM	23NK9DGLM		
20	3/16	3/32	.500	.156	23PK7DELM	23PK9DELM	23PK7DGLM	23PK9DGLM		

WHEN ORDERING VALVES OR REPAIR PACKS ADD VOLTAGE AND FREQUENCY TO COMPLETE VALVE NUMBER. EXAMPLES: VALVE (23JJ7DELM-12/DC) REPAIR PACK (K23JJDL-DC).