

GENERAL PURPOSE VALVES



Note: This valve also available as an operator. Refer to following page.

Series 20 >> Model 25

3-Way Directional Control Valve

A complete line of valves with a great selection of options and exceptional proven performance. The standard in the field. Air, water, and other fluids compatible with standard Buna seals. Hot water, steam, gasoline, and many oils require special seal materials.

- The flagship valve initially created for fluid power industry.
- Heavy duty and made of stainless steel.
- A real workhorse with proven performance.
- It has the greatest amount of options available of all the valves.
- Wide range of orifice sizes from 1/32" to 1/8".

OPERATING CONDITIONS

Media: Air, water, and other fluids compatible with standard Buna seals. Hot water, steam, gasoline, and many oils require special seal materials. (Series 20 pressure ratings may change due to the viscosity of the liquid.)*

Valve Temperature Range: Standard Valves - 0°F (-18°C) to 104°F (40°C) ambient; 0°F (-18°C) to 150°F (65°C) media. Optional Valves - can tolerate much higher or much lower ambient and media temperatures.

Maximum Operating Pressure Differentials: See table on proceeding page.

Burst Pressure: 5000 PSI

Leakage: Bubble tight for standard valves.

Vacuum: To 5 Microns*

ELECTRICAL CHARACTERISTICS

Coil Voltage: 6 to 825V AC 60 HZ. and 5 to 720V AC 50 HZ. – 1.8 to 265V DC

Nominal Power: AC – 8.7 Watts DC – 9.5 Watts

Coil Construction: Molded (Std.), Non-molded Class A and potted Class F (Class H optional)

Typical Response Time on Air: 4 - 16 Milliseconds

Operating Speed: Up to 600 CPM

Duty Cycle: Continuous

MECHANICAL CHARACTERISTICS

Body: Stainless Steel (Std.) or Brass (Opt.)

Internal Components: Stainless Steel

Elastomers: Nitrile (Buna) (Std.). Many other elastomers available.*

Orifice Diameter: See table on proceeding page.

Porting: Standard 1/8" and 1/4" NPT (other ports available).*

Housing: Grommet and 1/2" NPT conduit - many options available.*

Listings: Most valves are UL and CSA listed.*

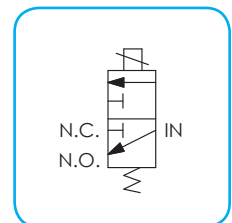
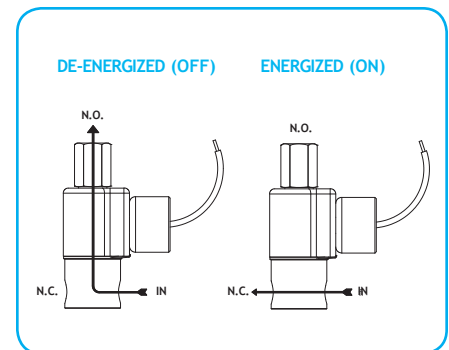
Life Expectancy: Millions of cycles, depending on application, lubrication, etc.

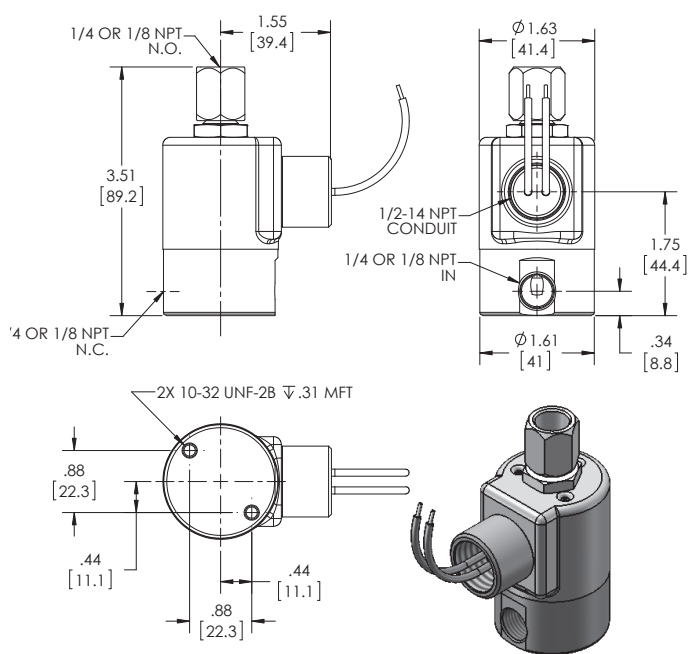
Valve Weight: Grommet Valve: 1.13 lb Conduit Valve: 1.19 lb

Repair Packs: See table on proceeding page.

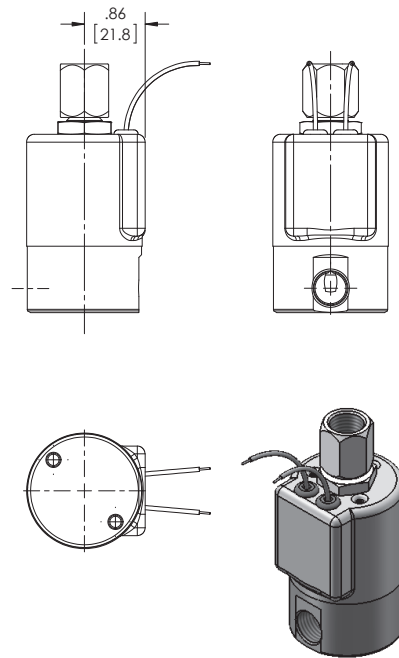
Options: Alternate Port Locations, Metering, Manual Override, Alternate Elastomers, Spade Terminal Coil, European Style DIN, Explosion Proof and Magnetic Latching Coil

* Consult representative or factory for options and specifications.





**SERIES 20
MODEL 25
3-WAY DIRECTIONAL CONTROL
CONDUIT CONNECTION**



**SERIES 20
MODEL 25
3-WAY DIRECTIONAL CONTROL
GROMMET HOUSING WITH LEADS**

VALVE SPECIFICATIONS

MAX. OPER. PRESS. DIFF.+		ORIFICE SIZE		CV FACTOR		VALVE NUMBER GROMMET HOUSING		CONDUIT HOUSING	
AC	DC	N.C.	N.O.	N.C.	N.O.	1/8 NPT PORTS	1/4 NPT PORTS	1/8 NPT PORTS	1/4 NPT PORTS
500	500	1/32	1/32	.024	.024	25GG7XGM	25GG9ZGM	25GG7XCM	25GG9ZCM
235 (400)	235 (300)	3/64	3/64	.052	.052	25HH7XGM	25HH9ZGM	25HH7XCM	25HH9ZCM
200 (225)	200 (200)	1/16	3/64	.095	.052	25JH7XGM	25JH9ZGM	25JH7XCM	25JH9ZCM
150 (225)	150 (200)	1/16	1/16	.095	.095	25JJ7XGM	25JJ9ZGM	25JJ7XCM	25JJ9ZCM
100 (150)	100 (125)	3/32	3/32	.156	.156	25KK7XGM	25KK9ZGM	25KK7XCM	25KK9ZCM
100 (125)	100	1/8	3/32	.284	.156	25NK7XGM	25NK9ZGM	25NK7XCM	25NK9ZCM
30 (40)	35 (40)	1/8	1/8	.284	.201	25NN7XGM [^]	25NN9ZGM [^]	25NN7XCM [^]	25NN9ZCM [^]

[^] VALVES WITH 1/8 N.O. ORIFICE ARE UL LISTED ONLY

+ Ratings in brackets are optional extended ratings; consult factory.

ORDERING INFORMATION:

WHEN ORDERING VALVES OR REPAIR PACKS ADD VOLTAGE AND FREQUENCY TO COMPLETE VALVE NUMBER. EXAMPLES: VALVE (25JJ7XGM 120/60) REPAIR PACK (K25JJX AC)

WHEN ORDERING OPERATORS ADD THE LETTER "O" TO THE FRONT OF THE VALVE NUMBER, REPLACE BODY PORT NUMBER WITH THE LETTER "D": EXAMPLE: OPERATOR (O25JJ7DGM 120/60)