

# GENERAL PURPOSE VALVES



**Note:** This valve also available as an operator. Refer to following page.

## Series 40 >> Model 42

### All-Plastic – 2-Way Normally Closed

General purpose valve engineered for economical applications. Engineered for competitive cost and reliable service. The valves can be used with air, inert gas and liquid media.

- **Cost competitive.**
- **Molded plastic exterior with internal stainless steel parts.**
- **Engineered with proven performance and reliable service.**
- **Also available with a forged brass body and integral mounting bracket.**
- **Great for humidifiers, pneumatic actuation systems, beverage dispensers and other equipment.**

## OPERATING CONDITIONS

**Media:** Air, inert gases and liquid media. (Series 40 pressure ratings may change due to the viscosity of the liquid.)\*

**Valve Temperature Range:** Standard Valves - 0°F (-18°C) to 104°F (40°C) ambient; 0°F (-18°C) to 150°F (65°C) media. Optional Valves - can tolerate much higher or much lower ambient and media temperatures. Do NOT allow water to freeze when using plastic body.

**Maximum Operating Pressure Differentials:** See table on proceeding page.

**Burst Pressure:** 1000 PSI

**Leakage:** Bubble tight for standard valves.

**Vacuum:** To 5 Microns\*

## ELECTRICAL CHARACTERISTICS

**Coil Voltage:** 12 to 252V AC 60 HZ. and 10.5 to 221V AC 50 HZ. – 4.7 to 100V DC

**Nominal Power:** AC – 3.3 Watts DC – 5.0 Watts

**Coil Construction:** Encapsulated Molded Class B with 24" leads

**Typical Response Time on Air:** 4 - 16 Milliseconds

**Operating Speed:** Up to 600 CPM

**Duty Cycle:** Continuous

## MECHANICAL CHARACTERISTICS

**Body:** Polyester Plastic (Std.) or Forged Brass (Opt.)

**Internal Components:** Stainless Steel

**Elastomers:** Nitrile (Buna) (Std.). Many other elastomers available.\*

**Orifice Diameter:** See table on proceeding page.

**Porting:** 1/8" NPT

**Housing:** Grommet

**Listings:** Most valves are UL and CSA listed.\*

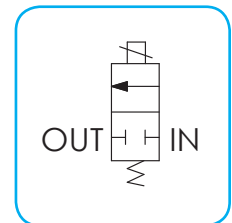
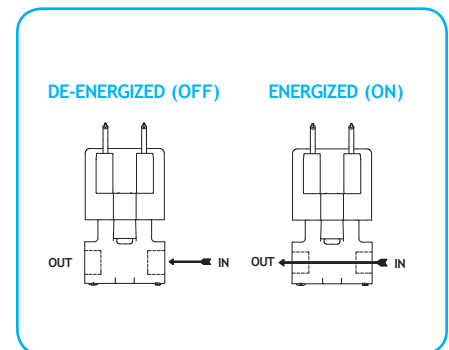
**Life Expectancy:** Millions of cycles, depending on application, lubrication, etc.

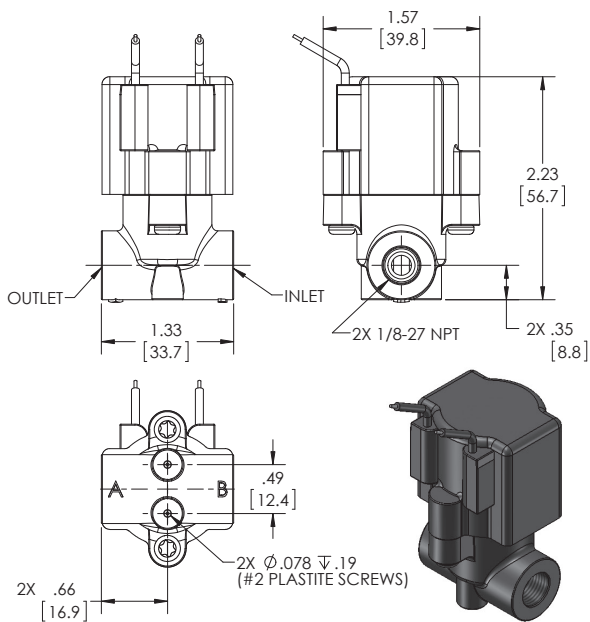
**Valve Weight:** 0.27 lbs average (with plastic body)

**Repair Packs:** See table on proceeding page.

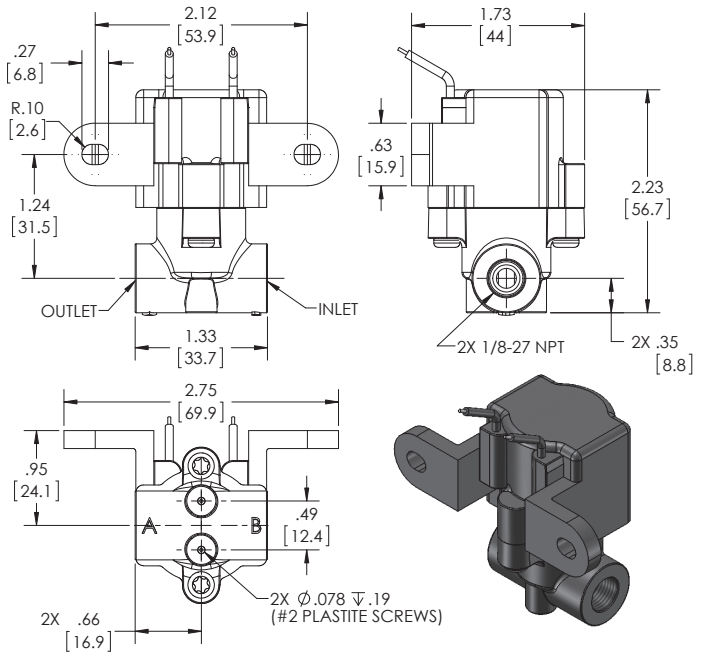
**Options:** Forged brass body in various porting styles.\*

\* Consult representative or factory for options and specifications.





**SERIES 40  
MODEL 42 (NO BRACKET)  
2WNC  
MOLDED WITH LEADS**



**SERIES 40  
MODEL 42 (WITH BRACKET)  
2WNC  
MOLDED WITH LEADS**

## VALVE SPECIFICATIONS

MAX. OPER. PRESS. DIFF.		ORIFICE SIZE	CV FACTOR	VALVE NUMBER	
AC	DC			WITHOUT BRACKET	WITH BRACKET
300	300	1/32	.022	42G15DGM	42G15DBGM
300	150	3/64	.055	42H15DGM	42H15DBGM
300	100	1/16	.090	42J15DGM	42J15DBGM
250	60	3/32	.145	42K15DGM	42K15DBGM
125	30	1/8	.200	42N15DGM	42N15DBGM

### ORDERING INFORMATION:

WHEN ORDERING VALVES OR REPAIR PACKS ADD VOLTAGE AND FREQUENCY TO COMPLETE VALVE NUMBER. EXAMPLES: VALVE (42J15DGM 120/60) REPAIR PACK (K42JD AC)

WHEN ORDERING OPERATORS ADD THE LETTER "O" TO THE FRONT OF THE VALVE NUMBER, REPLACE BODY PORT NUMBER WITH THE LETTER "D": EXAMPLE: OPERATOR (O42J15DGM 120/60)