

# GENERAL PURPOSE VALVES



## Series 50 >> Model 53

### 3-Way Normally Closed Valve – Piped Exhaust

Our original mini – engineered for space economy without sacrificing performance. Typical applications include medical, analytical instrumentation. Air, water, and other fluids compatible with standard Buna seals. Hot water, steam, gasoline, and many oils require special seal materials.

- Tough with options to use in hazardous location environments or low watt applications.
- High quality engineering.

**Note:** This valve also available as an operator. Refer to following page.

## OPERATING CONDITIONS

**Media:** Air, water, and other fluids compatible with standard Buna seals. Hot water, steam, gasoline, and many oils require special seal materials. (Series 50 pressure ratings may change due to the viscosity of the liquid.)\*

**Valve Temperature Range:** Standard Valves - 0°F (-18°C) to 104°F (40°C) ambient; 0°F (-18°C) to 150°F (65°C) media. Optional Valves - can tolerate much higher or much lower ambient and media temperatures.\*

**Maximum Operating Pressure Differentials:** See table on proceeding page.

**Burst Pressure:** 5000 PSI

**Leakage:** Bubble tight for standard valves.

**Vacuum:** To 5 Microns\*

## ELECTRICAL CHARACTERISTICS

**Coil Voltage:** 6.0 to 575V AC 60 HZ. and 5.4 to 515V AC 50 HZ. – 3.0 to 300V DC

**Nominal Power:** AC – 6.0 Watts, DC – 7.0 Watts

**Coil Construction:** Molded and potted Class F. (Class H optional)

**Typical Response Time on Air:** 4 - 16 Milliseconds

**Operating Speed:** Up to 600 CPM

**Duty Cycle:** Continuous

## MECHANICAL CHARACTERISTICS

**Body:** Stainless Steel (Std.), Brass (Opt.) or Aluminum (Opt.)

**Internal Components:** Stainless Steel

**Elastomers:** Nitrile (Buna) (Std.). Many other elastomers available.\*

**Orifice Diameter:** See table on proceeding page.

**Porting:** Standard 1/8" NPT (other ports available).\*

**Housing:** Grommet and 1/2" NPT conduit - many options available.\*

**Listings:** Most valves are UL and CSA listed.\*

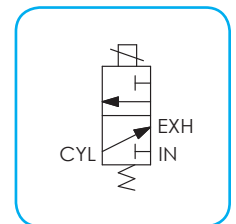
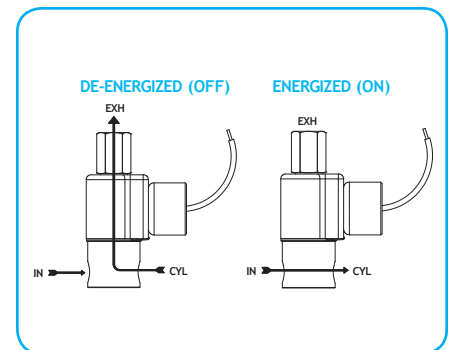
**Life Expectancy:** Millions of cycles, depending on application, lubrication, etc.

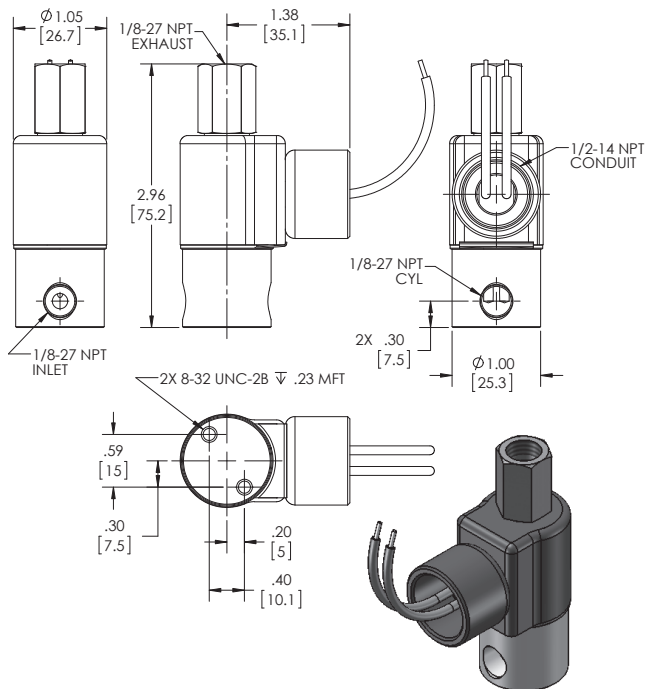
**Valve Weight:** Grommet Valve: 0.38 lb Conduit Valve: 0.44 lb

**Repair Packs:** See table on proceeding page.

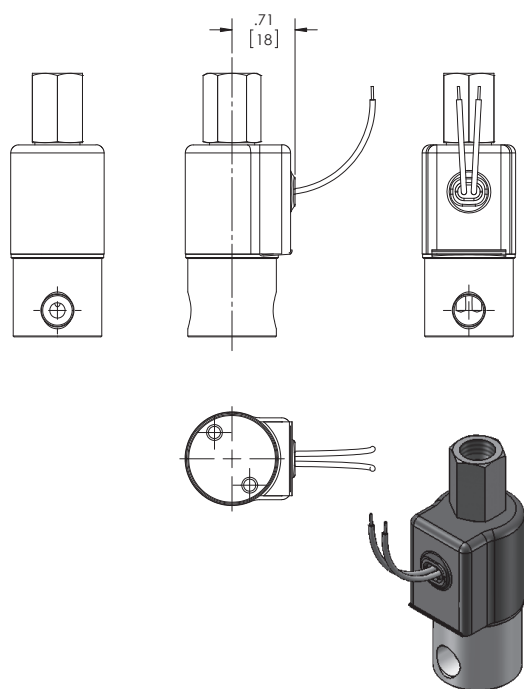
**Options:** Alternate Port Locations, Metering, Alternate Elastomers, Low Wattage, Spade Terminal Coil and Explosion Proof

\* Consult representative or factory for options and specifications.





**SERIES 50  
MODEL 53  
3WNC PIPED EXHAUST  
CONDUIT CONNECTION**



**SERIES 50  
MODEL 53  
3WNC PIPED EXHAUST  
GROMMET HOUSING WITH LEADS**

## VALVE SPECIFICATIONS

MAX. OPER. PRESS. DIFF.		ORIFICE SIZE		CV FACTOR		VALVE NUMBER	
AC	DC	N.C.	N.O.	N.C.	N.O.	GROMMET HOUSING 1/8 NPT PORTS	CONDUIT HOUSING 1/8 NPT PORTS
200	200	1/32	1/32	.022	.020	53GG8XGM	53GG8XCM
150	150	3/64	3/64	.055	.048	53HH8XGM	53HH8XCM
150	150	3/64	1/16	.055	.075	53HJ8XGM	53HJ8XCM
100	100	1/16	1/16	.075	.075	53JJ8XGM	53JJ8XCM
60	60	3/32	1/16	.156	.075	53KJ8XGM	53KJ8XCM
50	50	3/32	3/32	.156	.150	53KK8XGM	53KK8XCM
30	30	1/8	1/16	.230	.075	53NJ8XGM	53NJ8XCM
30	30	1/8	3/32	.230	.150	53NK8XGM	53NK8XCM

## ORDERING INFORMATION:

WHEN ORDERING VALVES OR REPAIR PACKS ADD VOLTAGE AND FREQUENCY TO COMPLETE VALVE NUMBER. EXAMPLES: VALVE (53JJ8XGM 120/60) REPAIR PACK (K53JJX AC)

WHEN ORDERING OPERATORS ADD THE LETTER "O" TO THE FRONT OF THE VALVE NUMBER, REPLACE BODY PORT NUMBER WITH THE LETTER "D": EXAMPLE: OPERATOR (O53JJ8DGM 120/60)