

GENERAL PURPOSE VALVES



Note: This valve also available as an operator. Refer to following page.

Series 58 >> Model 584

Low Watt – 3-Way Normally Open Valve

Easily interfaced with circuit boards and miniaturized components. The versatility is for connecting electronic signals to pneumatic outputs. The small size is ideal for stand alone (with #10-32 UNF-2B ports) or multiple valves mounted on one manifold. Air and other common gases – filtration recommended – 30 microns or less.

- May be used to “pilot” larger valves.
- Ideal for micro electronic production equipment.
- Great for medical and chemical analytical applications.
- Can operate directly from most programmable controllers.
- High quality engineering.

OPERATING CONDITIONS

Media: Air and other common gases – filtration recommended – 30 microns or less.

Valve Temperature Range: Standard Valves – 5°F (-15°C) to 122°F (50°C) ambient; media.

Maximum Operating Pressure Differentials: See table on proceeding page.

Burst Pressure: 1500 PSI

Leakage: Bubble tight for standard valves.

Vacuum: To 5 Microns*

ELECTRICAL CHARACTERISTICS

Coil Voltage: 14 to 220V AC 60 HZ. and 13 to 202V AC 50 HZ. – 3.0 to 150V DC

Nominal Power: AC – 3.5 Watts, DC – 3.5 Watts

Coil Construction: Molded Class A with lead wires and Micro DIN.

Typical Response Time on Air: AC – 3 to 9 Milliseconds, DC – 9 Milliseconds

Operating Speed: Up to 1000 CPM

Duty Cycle: Continuous

MECHANICAL CHARACTERISTICS

Body: Polyester Plastic (Std.), Round Brass or Stainless Steel (Opt.)

Internal Components: Stainless Steel

Elastomers: Nitrile (Buna) (Std.). Many other elastomers available.*

Orifice Diameter: See table on proceeding page.

Porting: #10-32 UNF-2B

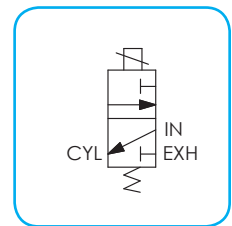
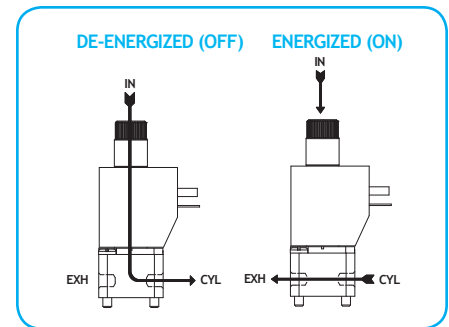
Life Expectancy: Millions of cycles, depending on application, lubrication, etc.

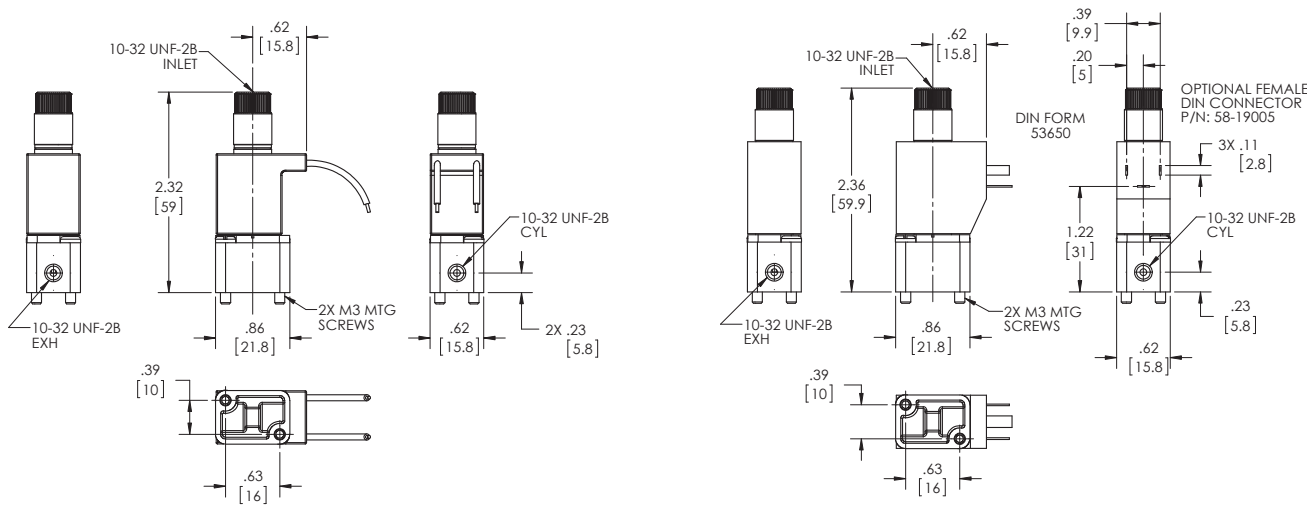
Valve Weight: 0.13 lbs

Repair Packs: See table on proceeding page.

Options: Round Stainless Steel or Brass Body, Male Stud Mount, Manual Override, M5 Ports and Manifold Mount.*

* Consult representative or factory for options and specifications.





**SERIES 58
MODEL 584
3WNO
MOLDED WITH LEADS**

**SERIES 58
MODEL 584
3WNO
DIN STYLE**

VALVE SPECIFICATIONS

MAX. OPER. PRESS. DIFF.		ORIFICE SIZE		CV FACTOR		VALVE NUMBER	
AC	DC	N.O.	N.C.	N.O.	N.C.	LEAD WIRE	MICRO DIN
145	145	0.6 mm	0.6 mm	.010	.010	584AA19PGM	584AA195PE
100	100	0.8 mm	0.8 mm	.020	.020	584FF19PGM	584FF19PE
50	50	1.0 mm	1.0 mm	.030	.030	584MM19PGM	584MM19PE
40	40	1.2 mm	1.2 mm	.034	.034	584WW19PGM	584WW19PE

ORDERING INFORMATION:

WHEN ORDERING VALVES OR REPAIR PACKS ADD VOLTAGE AND FREQUENCY TO COMPLETE VALVE NUMBER. FOR EXAMPLES: VALVE (584MM19PGM 120/60) REPAIR PACK (K584MM19D AC)

WHEN ORDERING OPERATORS ADD THE LETTER "O" TO THE FRONT OF THE VALVE NUMBER, REPLACE BODY PORT NUMBER WITH THE LETTER "D": EXAMPLE: OPERATOR (O584MMDPGM 120/60)