

# GENERAL PURPOSE VALVES



**Note:** This valve also available as an operator. Refer to following page.

## Series 58 >> Model 586

### Low Watt – 3-Way Multi-Purpose Valve

Easily interfaced with circuit boards and miniaturized components. The versatility is for connecting electronic signals to pneumatic outputs. The small size is ideal for stand alone (with #10-32 UNF-2B ports) or multiple valves mounted on one manifold. Air and other common gases – filtration recommended – 30 microns or less.

- May be used to “pilot” larger valves.
- Ideal for micro electronic production equipment.
- Great for medical and chemical analytical applications.
- Can operate directly from most programmable controllers.
- High quality engineering.

## OPERATING CONDITIONS

**Media:** Air and other common gases – filtration recommended – 30 microns or less.

**Valve Temperature Range:** Standard Valves – 5°F (-15°C) to 122°F (50°C) ambient; media.

**Maximum Operating Pressure Differentials:** See table on proceeding page.

**Burst Pressure:** 1500 PSI

**Leakage:** Bubble tight for standard valves.

**Vacuum:** To 5 Microns\*

## ELECTRICAL CHARACTERISTICS

**Coil Voltage:** 14 to 220V AC 60 HZ. and 13 to 202V AC 50 HZ. – 3.0 to 150V DC

**Nominal Power:** AC – 3.5 Watts, DC – 3.5 Watts

**Coil Construction:** Molded Class A with lead wires and Micro DIN.

**Typical Response Time on Air:** AC – 3 to 9 Milliseconds, DC – 9 Milliseconds

**Operating Speed:** Up to 1000 CPM

**Duty Cycle:** Continuous

## MECHANICAL CHARACTERISTICS

**Body:** Polyester Plastic (Std.), Round Brass or Stainless Steel (Opt.)

**Internal Components:** Stainless Steel

**Elastomers:** Nitrile (Buna) (Std.). Many other elastomers available.\*

**Orifice Diameter:** See table on proceeding page.

**Porting:** #10-32 UNF-2B

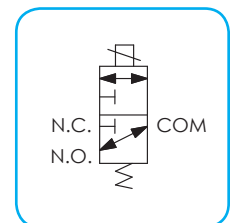
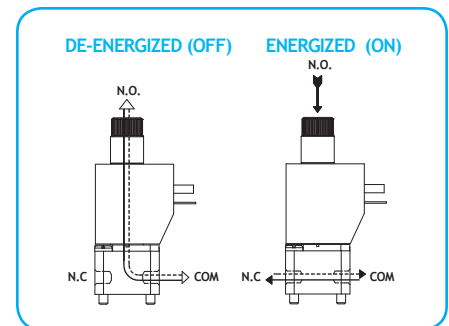
**Life Expectancy:** Millions of cycles, depending on application, lubrication, etc.

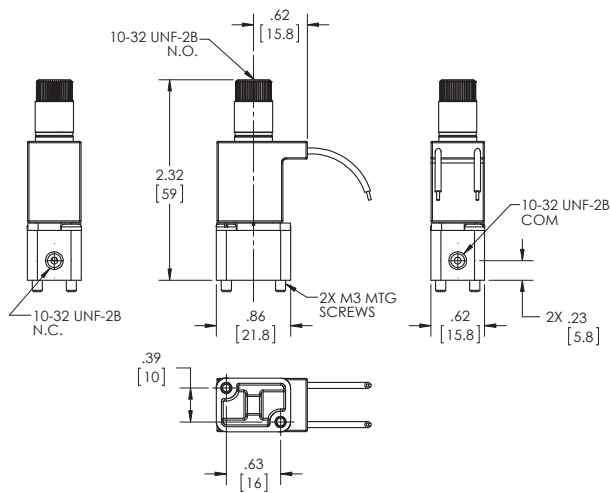
**Valve Weight:** 0.13 lbs

**Repair Packs:** See table on proceeding page.

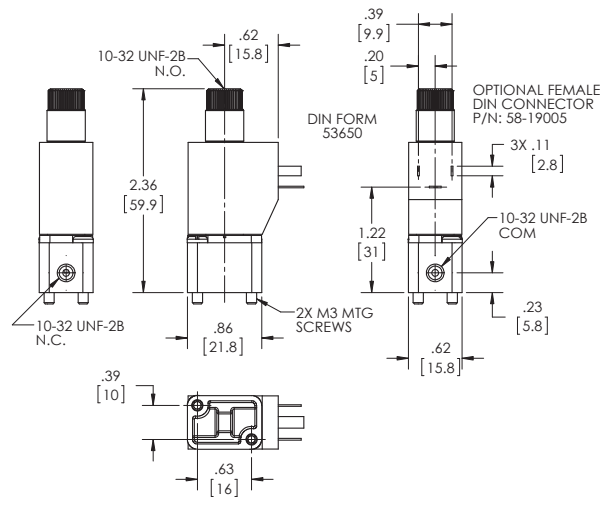
**Options:** Round Stainless Steel or Brass Body, Male Stud Mount, Manual Override, M5 Ports and Manifold Mount.\*

\* Consult representative or factory for options and specifications.





**SERIES 58  
MODEL 586  
3-WAY MULTI-PURPOSE  
MOLDED WITH LEADS**



**SERIES 58  
MODEL 586  
3-WAY MULTI-PURPOSE  
DIN STYLE**

## VALVE SPECIFICATIONS

MAX. OPER. PRESS. DIFF.		ORIFICE SIZE		CV FACTOR		VALVE NUMBER	
AC	DC	N.C.	N.O.	N.C.	N.O.	LEAD WIRE	MICRO DIN
145	145	0.6 mm	0.6 mm	.010	.010	586AA19PGM	586AA19PE
100	100	0.8 mm	0.8 mm	.020	.020	586FF19PGM	586FF19PE
50	50	1.0 mm	1.0 mm	.030	.030	586MM19PGM	586MM19PE
20	20	1.2 mm	1.2 mm	.034	.034	586WW19PGM	586WW19PE

### ORDERING INFORMATION:

WHEN ORDERING VALVES OR REPAIR PACKS ADD VOLTAGE AND FREQUENCY TO COMPLETE VALVE NUMBER. FOR EXAMPLES: VALVE (586MM19PGM 120/60) REPAIR PACK (K586MM19 AC)

WHEN ORDERING OPERATORS ADD THE LETTER "O" TO THE FRONT OF THE VALVE NUMBER, REPLACE BODY PORT NUMBER WITH THE LETTER "D": EXAMPLE: OPERATOR (O586MMDPGM 120/60)