

GENERAL PURPOSE VALVES



Series 70 >> Model 71

2-Way Normally Open Valve

Super valves that have ratings that formerly required valves of much greater size. Air, water, and other fluids compatible with standard Buna seals. Hot water, steam, gasoline, and many oils require special seal materials.

- Largest direct acting (non-piloted) valve we manufacture.
- Large orifice.
- High flow.
- Will operate effectively at very low pressures or vacuum.

Note: This valve also available as an operator. Refer to following page.

OPERATING CONDITIONS

Media: Air, water, and other fluids compatible with standard Buna seals. Hot water, steam, gasoline, and many oils require special seal materials. (Series 70 pressure ratings may change due to the viscosity of the liquid.)*

Valve Temperature Range: Standard Valves - 0°F (-18°C) to 104°F (40°C) ambient; 0°F (-18°C) to 150°F (65°C) media. Optional Valves - can tolerate much higher or much lower ambient and media temperatures.*

Maximum Operating Pressure Differentials: See table on proceeding page.

Burst Pressure: 4000 PSI

Leakage: Bubble tight for standard valves.

Vacuum: To 5 Microns*

ELECTRICAL CHARACTERISTICS

Coil Voltage: 12 to 1150V AC 60 HZ. and 11 to 1035V AC 50 HZ. — 2.5 to 220V DC

Nominal Power: AC — 18.0 Watts DC — 16.0 Watts

Coil Construction: Non-molded Class A (Std.), Molded and Potted Class F or Class H (Opt.)

Typical Response Time on Air: 4 - 16 Milliseconds

Operating Speed: Up to 600 CPM

Duty Cycle: Continuous

MECHANICAL CHARACTERISTICS

Body: Stainless Steel (Std.) or Brass (Opt.)

Internal Components: Stainless Steel

Elastomers: Nitrile (Buna) (Std.). Many other elastomers available.*

Orifice Diameter: See table on proceeding page.

Porting: Standard 1/4" NPT (other ports available).*

Housing: Grommet and 1/2" NPT conduit - many options available.*

Listings: Most valves are UL and CSA listed.*

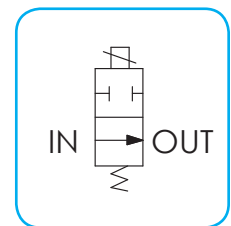
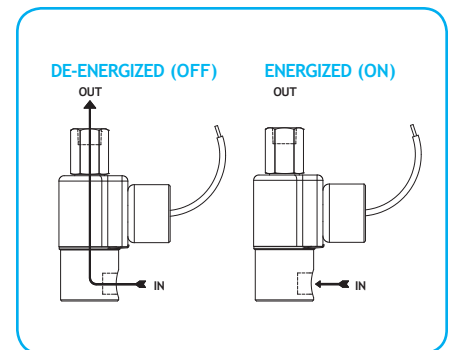
Life Expectancy: Millions of cycles, depending on application, lubrication, etc.

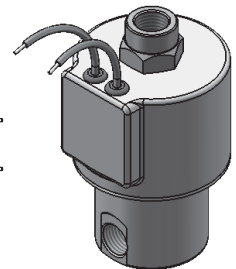
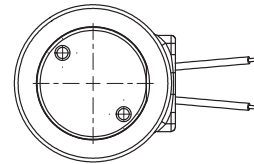
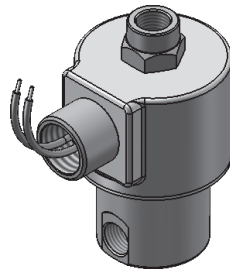
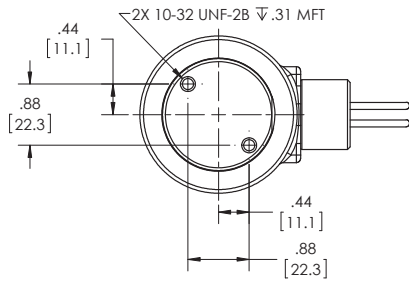
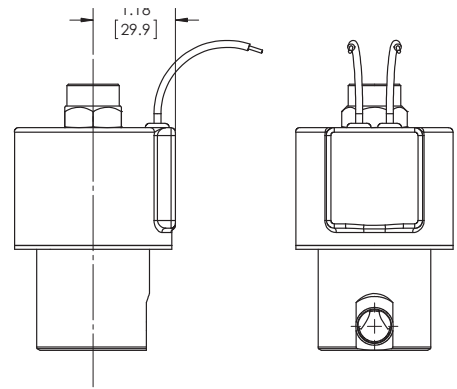
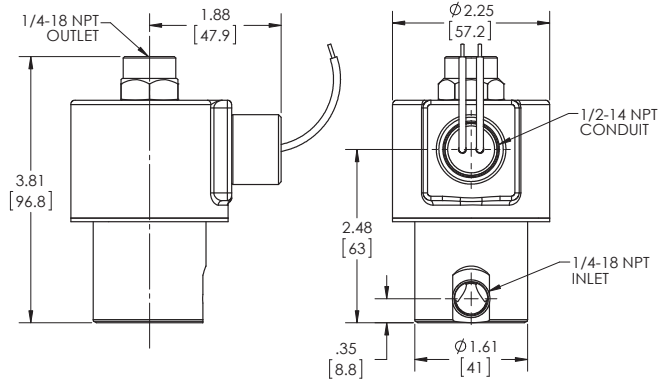
Valve Weight: Grommet Valve: 2.00 lb Conduit Valve: 2.06 lb

Repair Packs: See table on proceeding page.

Options: Alternate Port Locations, Metering and Alternate Elastomers

* Consult representative or factory for options and specifications.





**SERIES 70
MODEL 71 1/4-18 NPT
2WNO
CONDUIT CONNECTION**

**SERIES 70
MODEL 71 1/4-18 NPT
2WNO
GROMMET HOUSING WITH LEADS**

VALVE SPECIFICATIONS

MAX. OPER. PRESS. DIFF.		ORIFICE SIZE N.O.	CV FACTOR N.O.	VALVE NUMBER	
AC	DC			GROMMET HOUSING 1/4 NPT PORTS	CONDUIT HOUSING 1/4 NPT PORTS
350	350	1/16	.09	71J9ZGM	71J9ZCM
250	250	3/32	.22	71K9ZGM	71K9ZCM
175	175	1/8	.35	71N9ZGM	71N9ZCM
125	125	5/32	.45	71O9ZGM	71O9ZCM
100	100	3/16	.50	71P9ZGM	71P9ZCM

ORDERING INFORMATION:

WHEN ORDERING VALVES OR REPAIR PACKS ADD VOLTAGE AND FREQUENCY TO COMPLETE VALVE NUMBER. EXAMPLES: VALVE (71P9ZCM 120/60) REPAIR PACK (K71PDX AC)

WHEN ORDERING OPERATORS ADD THE LETTER "O" TO THE FRONT OF THE VALVE NUMBER, REPLACE BODY PORT NUMBER WITH THE LETTER "D": EXAMPLE: OPERATOR (O71P9DCM 120/60)