

HIGH PRESSURE VALVES



Series 20 >> Model H24

High Pressure – 3-Way Normally Open Valve

Using the heart of the highly successful model H22, Peter Paul Electronics has a valve that allows the same media control as a three way normally open valve but at much higher pressure ratings than previously available. Pressure applied to the “IN” port must always be equal to or greater than the pressure in “CYL” port. Air and other non-corrosive gases, water and oil.

- Made for higher pressure ratings.
- Precision stainless steel plunger.
- Kel-F pin and elastomeric sealing elements.
- Orifice guides the sealing pin for near perfect alignment.
- Simple construction...only three moving parts.

OPERATING CONDITIONS

Media: Air and other non-corrosive gases, water and oil.

Filtration: Down to 60 microns or less is recommended.

Valve Temperature Range: Standard Valves - 0°F (-18°C) to 104°F (40°C) ambient; 0°F (-18°C) to 150°F (65°C) media. Optional Valves - can tolerate much higher or much lower ambient and media temperatures.*

Maximum Operating Pressure Differentials: See table on proceeding page.

Burst Pressure: 6,000 PSI

Leakage: Bubble tight

ELECTRICAL CHARACTERISTICS

Coil Voltage: 1.8 to 265V DC

Nominal Power: DC – 9.5 Watts

Coil Construction: Non-molded Class A (Std.), Molded and Potted Class F or Class H (Opt.)

Typical Response Time on Air: 4 - 16 Milliseconds

Operating Speed: Up to 600 CPM with gas media

Duty Cycle: Continuous

MECHANICAL CHARACTERISTICS

Body: Stainless Steel (Std.)

Internal Components: Stainless Steel

Sealing Pin: Kel-F and urethane dynamic seals. Buna static seal. Many other options available.*

Orifice Diameter: See table on proceeding page.

Porting: 1/8" and 1/4" NPT (other ports available).*

Mounting: Must be mounted within 30° of vertical.

Housing: Grommet and 1/2" NPT conduit - many options available.*

Listings: Most valves are UL and CSA listed.*

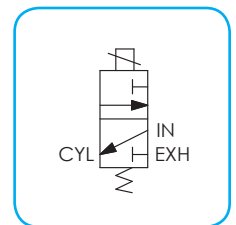
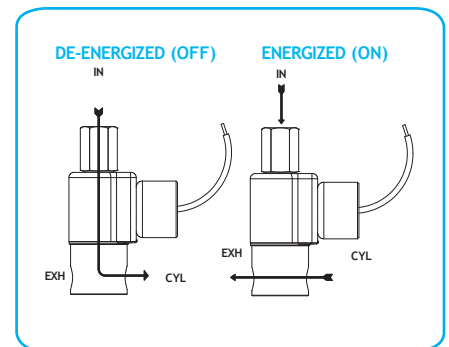
Life Expectancy: Millions of cycles, depending on application, lubrication, etc.

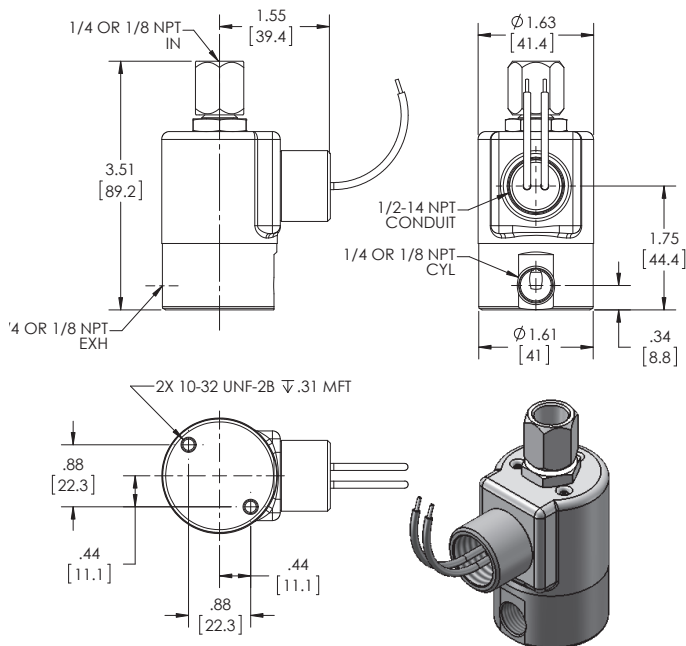
Valve Weight: 1.17 lbs

Repair Packs: See table on proceeding page.

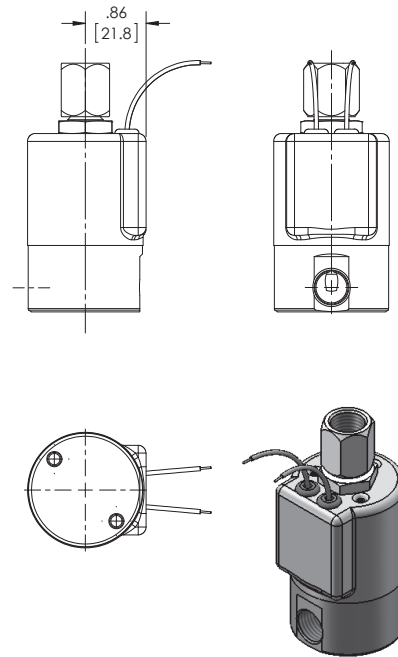
Options: Alternate Elastomers, Alternate Sealing Pin Materials, Spade Terminal Coil, and European Style DIN*

* Consult representative or factory for options and specifications.





**SERIES 20 MODEL H24
3-WAY NORMALLY OPEN
CONDUIT COIL CONNECTION**



**SERIES 20 MODEL H24
3-WAY NORMALLY OPEN
GROMMET HOUSING WITH LEADS**

VALVE SPECIFICATIONS

| MAX. OPER. PRESS. DIFF. DC | ORIFICE SIZE | | CV FACTOR | | VALVE NUMBER | | CONDUIT HOUSING | |
|----------------------------------|--------------|------|-----------|------|----------------|----------------|-----------------|----------------|
| | N.O. | N.C. | N.O. | N.C. | 1/8" NPT PORTS | 1/4" NPT PORTS | 1/8" NPT PORTS | 1/4" NPT PORTS |
| 1000 | 0.6 mm | 1/32 | .010 | .022 | H24MG7XGV | H24MG9ZGV | H24MG7XCV | H24MG9ZCV |

WHEN ORDERING VALVES OR REPAIR PACKS ADD VOLTAGE AND FREQUENCY TO COMPLETE VALVE NUMBER. EXAMPLES: VALVE (H24MG7XGV 12/DC) REPAIR PACK (KH24MGX-DC)