



Note: This valve also available as an operator. Refer to following page.

Series 58 >> Model 583

Low Watt – 3-Way Normally Closed Valve – Piped Exhaust

Easily interfaced with circuit boards and miniaturized components. The versatility is for connecting electronic signals to pneumatic outputs. The small size is ideal for stand alone (with #10-32 UNF-2B ports) or multiple valves mounted on one manifold. Air and other common gases – filtration recommended – 30 microns or less.

- May be used to “pilot” larger valves.
- Ideal for micro electronic production equipment.
- Great for medical and chemical analytical applications.
- Can operate directly from most programmable controllers.
- High quality engineering.

OPERATING CONDITIONS

Media: Air and other common gases – filtration recommended – 30 microns or less.

Valve Temperature Range: Standard Valves – 5° F (-15° C) to 122° F (50° C) ambient; media.

Maximum Operating Pressure Differentials: See table on proceeding page.

Burst Pressure: 1500 PSI

Leakage: Bubble tight for standard valves.

Vacuum: To 5 Microns*

ELECTRICAL CHARACTERISTICS

Coil Voltage: 3.0 to 150V DC

Nominal Power: DC – 3.5 Watts

Coil Construction: Molded Class A with lead wires

Typical Response Time on Air: DC – 9 Milliseconds

Operating Speed: Up to 1000 CPM

Duty Cycle: Continuous

MECHANICAL CHARACTERISTICS

Body: Polyester Plastic (Std.), Round Brass or Stainless Steel (Opt.)

Internal Components: Stainless Steel

Elastomers: Nitrile (Buna) (Std.). Many other elastomers available.*

Orifice Diameter: See table on proceeding page.

Porting: #10-32 UNF-2B

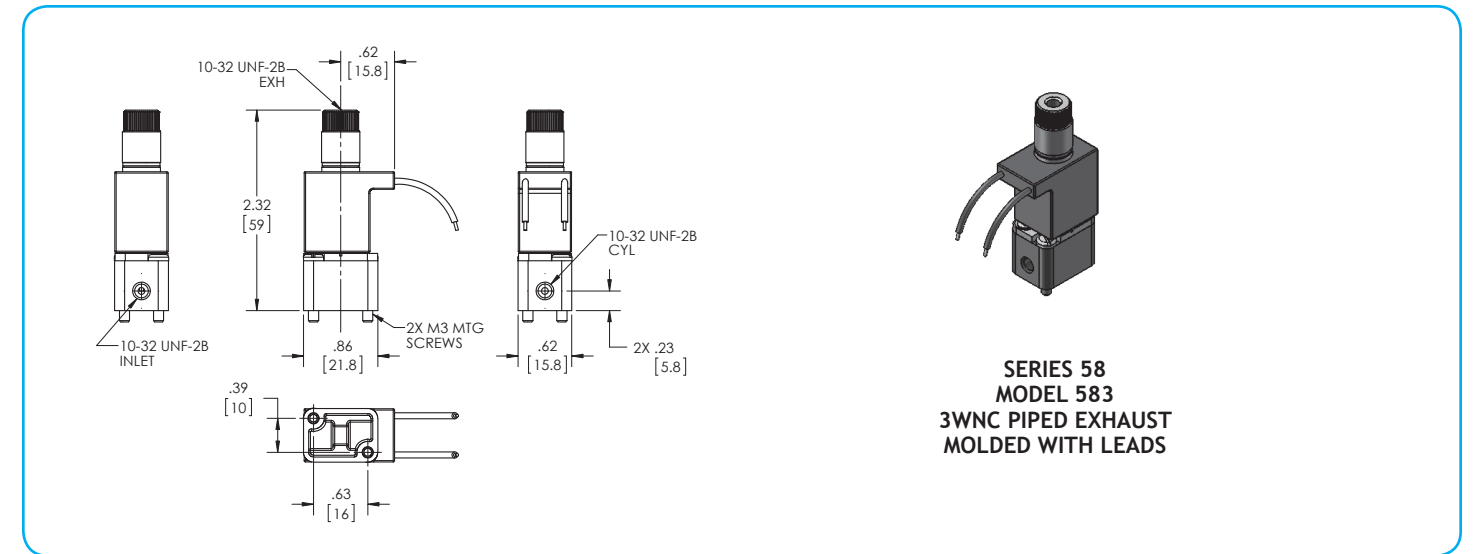
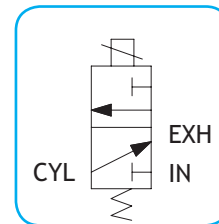
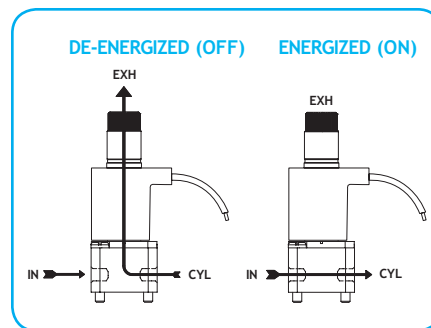
Life Expectancy: Millions of cycles, depending on application, lubrication, etc.

Valve Weight: 0.13 lbs

Repair Packs: See table on proceeding page.

Options: Round Stainless Steel or Brass Body, Male Stud Mount, Manual Override, M5 Ports and Manifold Mount.*

* Consult representative or factory for options and specifications.



**SERIES 58
MODEL 583
3WNC PIPED EXHAUST
MOLDED WITH LEADS**

VALVE SPECIFICATIONS

MAX. OPER. PRESS. DIFF.	ORIFICE SIZE		CV FACTOR		VALVE NUMBER LEAD WIRE
	DC	N.C. N.O.	N.C.	N.O.	
300	0.6 mm	0.6 mm	.010	.010	583AA19PGM
300	0.6 mm	0.8 mm	.010	.020	583AF19PGM
250	0.8 mm	0.8 mm	.020	.020	583FF19PGM
145	1.0 mm	1.0 mm	.030	.030	583MM19PGM
100	1.2 mm	1.2 mm	.034	.034	583WW19PGM

ORDERING INFORMATION:

WHEN ORDERING VALVES OR REPAIR PACKS ADD VOLTAGE AND FREQUENCY TO COMPLETE VALVE NUMBER. FOR EXAMPLES: VALVE (583MM19PGM 120/60) REPAIR PACK (K583MM19D AC)

WHEN ORDERING OPERATORS ADD THE LETTER “O” TO THE FRONT OF THE VALVE NUMBER, REPLACE BODY PORT NUMBER WITH THE LETTER “D”: EXAMPLE: OPERATOR (O583MMDPGM 120/60)