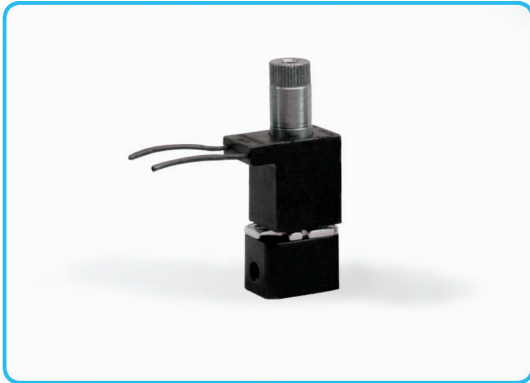


# GENERAL PURPOSE VALVES



**Note:** This valve also available as an operator. Refer to following page.

## Series 58 >> Model 584

### Low Watt – 3-Way Normally Open Valve

Easily interfaced with circuit boards and miniaturized components. The versatility is for connecting electronic signals to pneumatic outputs. The small size is ideal for stand alone (with #10-32 UNF-2B ports) or multiple valves mounted on one manifold. Air and other common gases – filtration recommended – 30 microns or less.

- May be used to “pilot” larger valves.
- Ideal for micro electronic production equipment.
- Great for medical and chemical analytical applications.
- Can operate directly from most programmable controllers.
- High quality engineering.

## OPERATING CONDITIONS

**Media:** Air and other common gases – filtration recommended – 30 microns or less.

**Valve Temperature Range:** Standard Valves – 5°F (-15°C) to 122°F (50°C) ambient; media.

**Maximum Operating Pressure Differentials:** See table on next page.

**Burst Pressure:** 1,500 PSI

**Leakage:** Bubble tight for standard valves.

**Vacuum:** To 5 Microns\*

## ELECTRICAL CHARACTERISTICS

**Coil Voltage:** 12, 24VDC

**Nominal Power:** DC – 3.5 Watts

**Coil Construction:** Molded Class A with lead wires

**Typical Response Time on Air:** DC – 9 Milliseconds

**Operating Speed:** Up to 1000 CPM

**Duty Cycle:** Continuous

## MECHANICAL CHARACTERISTICS

**Body:** Polyester Plastic (Std.), Round Brass or Stainless Steel (Opt.)

**Internal Components:** Stainless Steel

**Elastomers:** Nitrile (Buna) (Std.). Many other elastomers available.\*

**Orifice Diameter:** See table on next page.

**Porting:** #10-32 UNF-2B

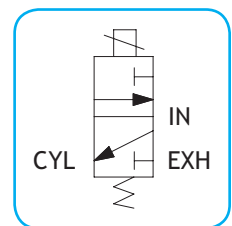
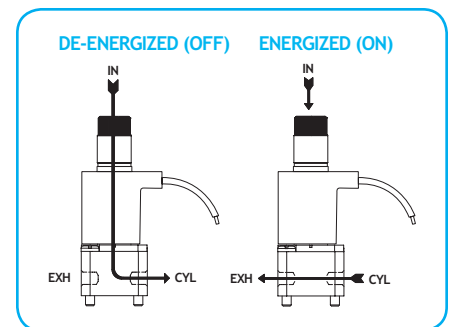
**Life Expectancy:** Millions of cycles, depending on application, lubrication, etc.

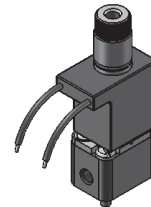
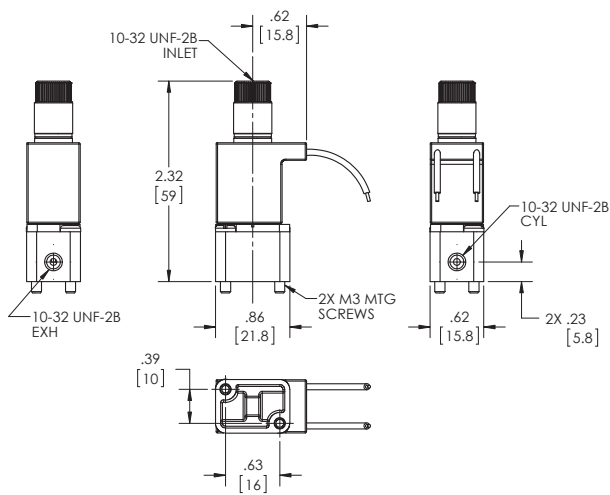
**Valve Weight:** 0.13 lbs

**Repair Packs:** See table on next page.

**Options:** Round Stainless Steel or Brass Body, Male Stud Mount, Manual Override, M5 Ports and Manifold Mount.\*

\* Consult representative or factory for options and specifications.





**SERIES 58  
MODEL 584  
3WNO  
MOLDED WITH LEADS**

## VALVE SPECIFICATIONS

MAX. OPER. PRESS. DIFF.	ORIFICE SIZE		CV FACTOR		VALVE NUMBER LEAD WIRE
	DC	N.C.	N.O.	N.C.	
145	0.6 mm	0.6 mm	.010	.010	584AA19PGM
100	0.8 mm	0.8 mm	.020	.020	584FF19PGM
50	1.0 mm	1.0 mm	.030	.030	584MM19PGM
40	1.2 mm	1.2 mm	.034	.034	584WW19PGM

### ORDERING INFORMATION:

WHEN ORDERING VALVES OR REPAIR PACKS ADD VOLTAGE AND FREQUENCY TO COMPLETE VALVE NUMBER. FOR EXAMPLES: VALVE (584MM19PGM 120/60) REPAIR PACK (K584MM19D AC)

WHEN ORDERING OPERATORS ADD THE LETTER "O" TO THE FRONT OF THE VALVE NUMBER, REPLACE BODY PORT NUMBER WITH THE LETTER "D": EXAMPLE: OPERATOR (O584MMDPGM 120/60)