

GENERAL PURPOSE VALVES



Note: This valve also available as an operator. Refer to following page.

Series 58 >> Model 585

Low Watt – 3-Way Directional Control Valve

Easily interfaced with circuit boards and miniaturized components. The versatility is for connecting electronic signals to pneumatic outputs. The small size is ideal for stand alone (with #10-32 UNF-2B ports) or multiple valves mounted on one manifold. Air and other common gases – filtration recommended – 30 microns or less.

- May be used to “pilot” larger valves.
- Ideal for micro electronic production equipment.
- Great for medical and chemical analytical applications.
- Can operate directly from most programmable controllers.
- High quality engineering.

OPERATING CONDITIONS

Media: Air and other common gases – filtration recommended – 30 microns or less.

Valve Temperature Range: Standard Valves – 5°F (-15°C) to 122°F (50°C) ambient; media.

Maximum Operating Pressure Differentials: See table on next page.

Burst Pressure: 1,500 PSI

Leakage: Bubble tight for standard valves.

Vacuum: To 5 Microns*

ELECTRICAL CHARACTERISTICS

Coil Voltage: 12, 24VDC

Nominal Power: DC – 3.5 Watts

Coil Construction: Molded Class A with lead wires

Typical Response Time on Air: DC – 9 Milliseconds

Operating Speed: Up to 1000 CPM

Duty Cycle: Continuous

MECHANICAL CHARACTERISTICS

Body: Polyester Plastic (Std.), Round Brass or Stainless Steel (Opt.)

Internal Components: Stainless Steel

Elastomers: Nitrile (Buna) (Std.). Many other elastomers available.*

Orifice Diameter: See table on next page.

Porting: #10-32 UNF-2B

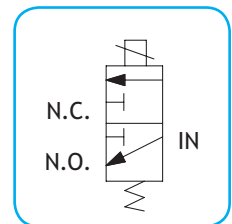
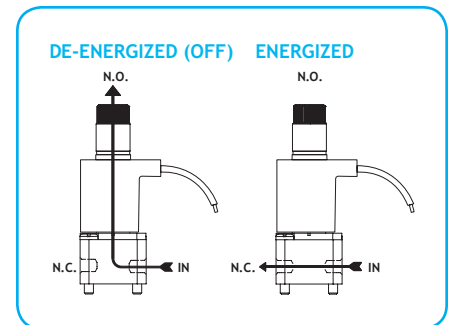
Life Expectancy: Millions of cycles, depending on application, lubrication, etc.

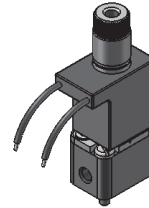
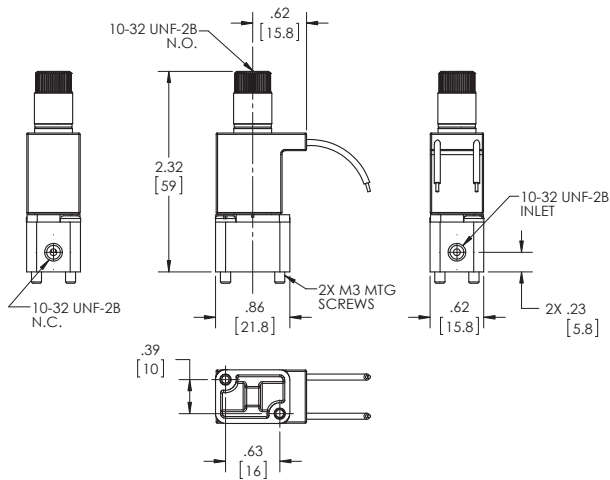
Valve Weight: 0.13 lbs

Repair Packs: See table on next page.

Options: Round Stainless Steel or Brass Body, Male Stud Mount, Manual Override, M5 Ports and Manifold Mount.*

* Consult representative or factory for options and specifications.





**SERIES 58
MODEL 585
3-WAY DIRECTIONAL CONTROL
MOLDED WITH LEADS**

VALVE SPECIFICATIONS

MAX. OPER. PRESS. DIFF.	ORIFICE SIZE		CV FACTOR		VALVE NUMBER LEAD WIRE
	N.C.	N.O.	N.C.	N.O.	
300	0.6 mm	0.6 mm	.010	.010	585AA19PGM
200	0.8 mm	0.8 mm	.020	.020	585FF19PGM
50	1.0 mm	1.0 mm	.030	.030	585MM19PGM
35	1.2 mm	1.2 mm	.034	.034	585WW19PGM

ORDERING INFORMATION:

WHEN ORDERING VALVES OR REPAIR PACKS ADD VOLTAGE AND FREQUENCY TO COMPLETE VALVE NUMBER. FOR EXAMPLES: VALVE (585MM19PGM 120/60) REPAIR PACK (K585MM19 AC)

WHEN ORDERING OPERATORS ADD THE LETTER "O" TO THE FRONT OF THE VALVE NUMBER, REPLACE BODY PORT NUMBER WITH THE LETTER "D": EXAMPLE: OPERATOR (O585MMDPGM 120/60)